

PITTSBURGH 5 (PIB-30014)



Product description

Medium - RGBW

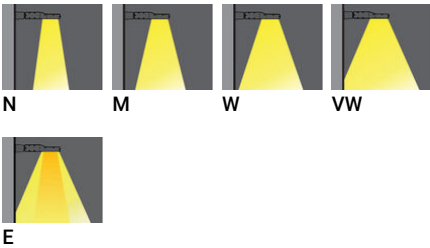


microPrim™

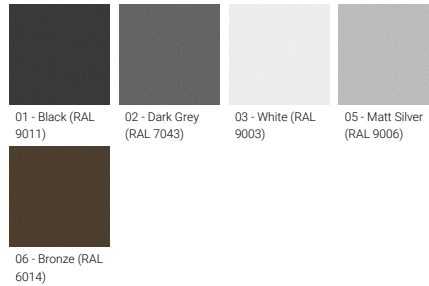
Luminaire Structure

- Extruded aluminium housing
- Pre-treated before powder coating ensuring high corrosion resistance
- Thermal heat dissipation body
- Single cable entry
- Stainless steel fasteners in grade 304 with zinc flake coating (ZFC)
- Durable silicone rubber gasket
- Clear toughened glass
- High-efficiency polycarbonate lens
- Integral control gear
- Surge protection 10kV

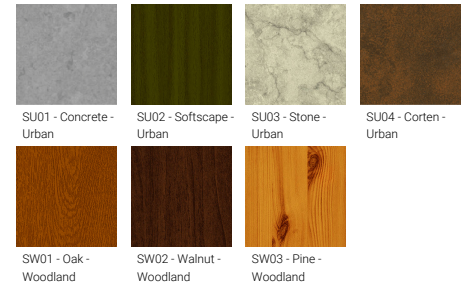
Optic



Product colour



Special finishes upon request



PITTSBURGH 5 (PIB-30014)

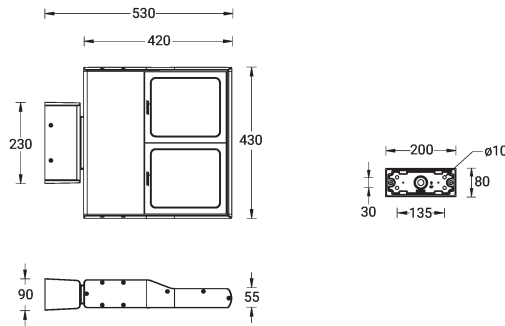
Technical information

Material	Aluminium
Light source	2 x 36 LED
Power	80 W
Lumen	3962 - 5071 lm
Efficacy	50 - 63 lm/W
Driver option	Integral control gear

Driver	Constant current (CC)
Input voltage	220-240 V 50/60 Hz
Optic	N, M, W, VW, E
Optic value	9°, 16°, 33°, 64°, 43°x10°
CCT / CRI	RGBW30, RGBW40
Dimming type	DMX/RDM

Product colours	Black, Dark Grey, White, Matt Silver, Bronze, Concrete - Urban, Softscape - Urban, Stone - Urban, Corten - Urban, Oak - Woodland, Walnut - Woodland, Pine - Woodland
Weight	13.0 kg
Operating temperature	-20 °C to 40 °C
Through wiring	Single cable entry
Lens / Reflector / Optic	Clear toughened glass, High-efficiency polycarbonate lens

PIB-30014



PITTSBURGH 5 (PIB-30014)

Accessory



DMX/RDM Control System
Control-DMX-RDM
