

**ALDO 7** (ALD-30272) (Version 1)



**Product description**

Without remote driver - Constant voltage (CV) 24 V - 50x95 mm - 1000 mm - Class III - IK07

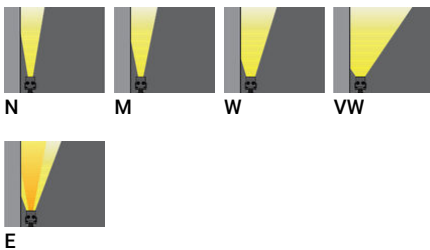


microPrim™

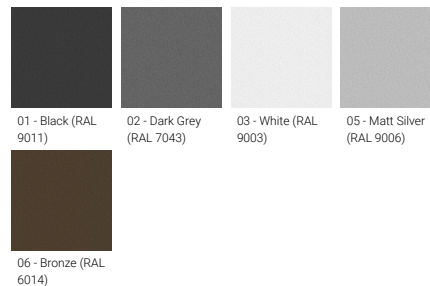
**Luminaire Structure**

- Powder coated aluminium alloy housing
- Adjustable aluminium extrusion bracket for ALD-30261, ALD-30262, ALD-30263, ALD-30264, ALD-30265, ALD-30266, ALD-30271, ALD-30272, ALD-30281, ALD-30282, ALD-30291, ALD-30292, ALD-30301, ALD-30302, ALD-30801
- Adjustable galvanised steel bracket for ALD-30241, ALD-30242, ALD-30243, ALD-30244, ALD-30251, ALD-30252, ALD-30253, ALD-30254, ALD-30255, ALD-30256
- Two cable entries for through wiring
- Two IP67 connectors supplied with 2x0.2 m of 2x1.0 sqmm outdoor cable
- Clear toughened glass
- Remote driver (not included)
- Uniform light distribution with uninterrupted end-to-end mounting.
- For ALD-30001 not included 24 VDC input, DMXRDM address with stable signal

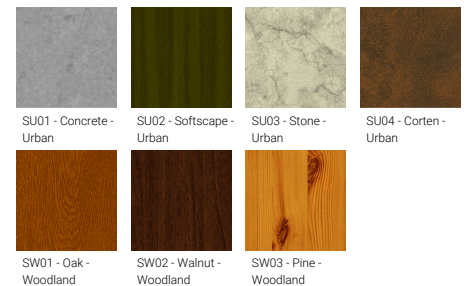
**Optic**



**Product colour**



**Special finishes upon request**



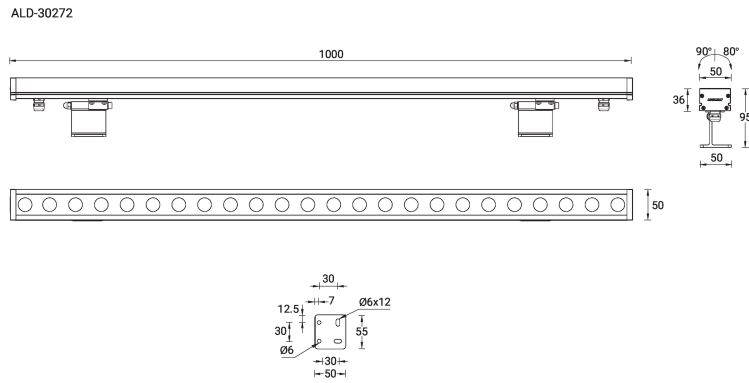
**ALDO 7** (ALD-30272) (Version 1)

**Technical information**

<b>Material</b>	Aluminium
<b>Light source</b>	24 LED
<b>Power</b>	49 W
<b>Lumen</b>	5123 - 6208 lm
<b>Efficacy</b>	105 - 127 lm/W
<b>Driver option</b>	Remote driver (not included)
<b>Driver</b>	Constant voltage (CV)
<b>Input voltage</b>	24 VDC

<b>Optic</b>	N, M, W, VW, E
<b>Optic value</b>	11°, 17°, 34°, 63°, 12°x 44°
<b>CCT / CRI</b>	3000K CRI80, 4000K CRI80
<b>Bug</b>	B3-U0-G0, B4-U0-G0
<b>ULR</b>	<1%
<b>ULOR</b>	<1%
<b>CIE flux code n°3</b>	100
<b>Dimming type</b>	On/Off

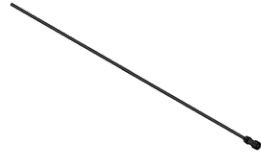
<b>Product colours</b>	Black, Dark Grey, White, Matt Silver, Bronze, Concrete - Urban, Softscape - Urban, Stone - Urban, Corten - Urban, Oak - Woodland, Walnut - Woodland, Pine - Woodland
<b>Weight</b>	2.4 kg
<b>Operating temperature</b>	-20 °C to 40 °C
<b>Cable</b>	Two IP67 connectors supplied with 2x0.2 m of 2x1.0 sqmm outdoor cable
<b>Through wiring</b>	Two cable entries for through wiring
<b>Lens / Reflector / Optic</b>	Clear toughened glass



**Accessory**



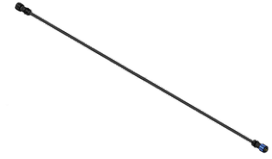
Cable - Connector IP67 Female 2  
Pin Power - 1000 mm  
**A65491-001**



Cable - Connector IP67 Female 2  
Pin Power - 5000 mm  
**A65491-005**



Cable - Connector IP67 Female +  
Male 2 Pin Power - 1000 mm  
**A65591-001**



Cable - Connector IP67 Female +  
Male 2 Pin Power - 5000 mm  
**A65591-005**



Connector IP67 Female 2 Pin  
Power  
**A68191**



Connector IP67 Male 2 Pin  
Power  
**A68291**



Driver (CV) - On/Off - 36 W - IP67  
- 24 V  
**A34491-ND**



Driver (CV) - On/Off - 60 W - IP67  
- 24 V  
**A34591-ND**



Driver (CV) - On/Off - 100 W -  
IP67 - 24 V  
**A34791-ND**



Driver (CV) - On/Off - 150 W -  
IP67 - 24 V  
**A34891-ND**



Driver (CV) - On/Off - 200 W -  
IP67 - 24 V  
**A34991-ND**



Driver (CV) - On/Off - 350 W -  
IP67 - 24 V  
**A35091-ND**