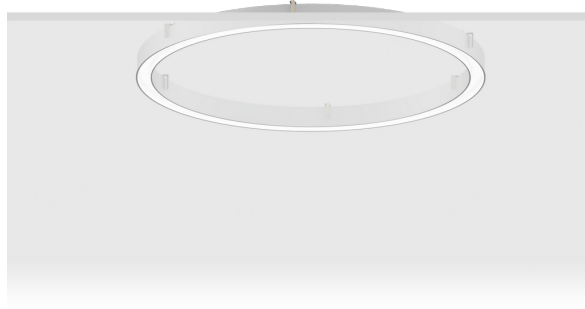


GAVLE 1 (GAV-80061)



Product description

Down - 70x90 mm - 4000 mm

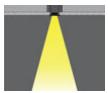


microPrim™

Luminaire Structure

- Extruded aluminium bended profile with powder coating
- Passive thermal management
- Stainless steel fasteners in grade 304 with zinc flake coating (ZFC)
- Opal PMMA diffuser (UGR <19) for glare control
- Integral control gear for On/Off (-ND), DALI (-DA). Remote driver is included for 1-10V (-DI)
- Stainless steel brackets and screws for mounting
- Wireless control available through Bluetooth connection
- Daylight and occupancy sensor options
- Down light distribution only

Optic



0

Product colour



01 - Black (RAL 9011) 03 - White (RAL 9003) 05 - Matt Silver (RAL 9006)

Special finishes upon request



SU01 - Concrete - Urban SU02 - Softscape - Urban SU03 - Stone - Urban SU04 - Corten - Urban



SW01 - Oak - Woodland SW02 - Walnut - Woodland SW03 - Pine - Woodland

GAVLE 1 (GAV-80061)

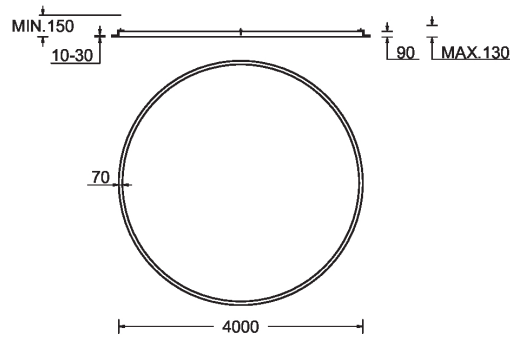
Technical information

Material	Aluminium
Light source	1536 LED
Power	206 W
Lumen	20187 - 21072 lm
Efficacy	98 - 102 lm/W
Driver option	Integral control gear for On/Off (-ND), DALI (-DA). Remote driver is included for 1-10V (-DI)
Driver	Constant current (CC)

Input voltage	220-240 V 50/60 Hz
Optic	0
Optic value	102°
CCT / CRI	3000K CRI80, 4000K CRI80
Bug	B4-U1-G2
ULR	0%, <1%
ULOR	0%, <1%

CIE flux code n°3	96
Dimming type	On/Off, 1-10V, DALI
Product colours	Black, White, Matt Silver, Concrete - Urban, Softscape - Urban, Stone - Urban, Corten - Urban, Oak - Woodland, Walnut - Woodland, Pine - Woodland
Weight	35.6 kg
Operating temperature	-20 °C to 40 °C
Variants (1-10V, DALI)	Compatible with EN/ IEC 60598-2-22: Suitable for emergency installations as central supply, non-maintained (Z0)

GAV-80061



GAVLE 1 (GAV-80061)**Accessory**



Xpress wireless switch
A90591



Wireless bluetooth converter
A90291



DALI Control System
Control-DALI
