

JET 57 (JE-10572) (Version 2)



Product description

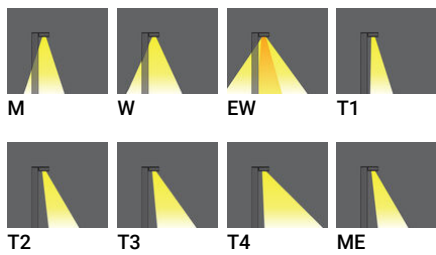
Ø102 - 1000 mm - 1 side - Round



Luminaire Structure

- Die-cast aluminium housing
- Extruded aluminium column
- Pre-treated before powder coating ensuring high corrosion resistance
- Single cable entry
- One IP68 connector supplied with 0.2 m of 3x1.0 sqmm outdoor cable
- Stainless steel fasteners in grade 304 with zinc flake coating (ZFC)
- Durable silicone rubber gasket
- Clear toughened glass
- Integral control gear

Optic



Product colour



Special finishes upon request



JET 57 (JE-10572) (Version 2)

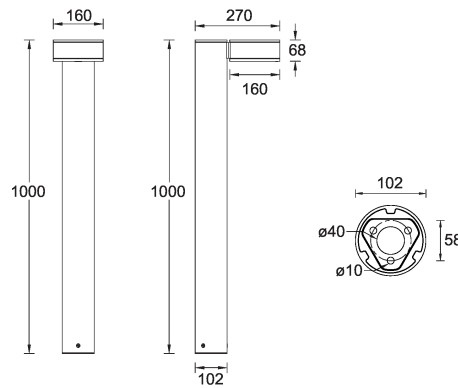
Technical information

Material	Aluminium
Light source	2 x 4 LED
Power	19 W
Lumen	1769 - 2229 lm
Efficacy	93 - 117 lm/W
Driver option	Integral control gear
Driver	Constant current (CC)
Input voltage	220-240 V 50/60 Hz
Optic	M, W, EW, T1, T2, T3, T4, ME

Optic value	25°, 56°x34°, 109°x99°, 148°x75°, 137°x52°, 129°x90°, 100°x72°, 135°x50°
CCT / CRI	2700K CRI80, 3000K CRI80, 4000K CRI80
Bug	B0-U1-G0, B1-U2-G0, B1-U2-G1, B2-U2-G1
ULR	1%, 2%, 3%
ULOR	1%, 2%, 3%
CIE flux code n°3	96, 97, 98, 99
Dimming type	On/Off, 1-10V, DALI
Product colours	Black, Dark Grey, White, Matt Silver, Bronze, Concrete - Urban, Softscape - Urban, Stone - Urban, Corten - Urban, Oak - Woodland, Walnut - Woodland, Pine - Woodland
Weight	5.5 kg

Operating temperature	-20 °C to 50 °C
Cable	One IP68 connector supplied with 0.2 m of 3x1.0 sqmm outdoor cable
Through wiring	Single cable entry
Lens / Reflector / Optic	Clear toughened glass
MacAdam Ellipse	3 SDCM
Lifetime L90B10 (hours)	> 90,000
Lifetime L80B10 (hours)	> 90,000
Lifetime L80B50 (hours)	> 90,000
Variants (On/Off, 1-10V, DALI)	Compatible with EN/ IEC 60598-2-22: Suitable for emergency installations as central supply, non-maintained (Z0)

JE-10572



Accessory



Anchor bolt
A10791



DALI Control System
Control-DALI