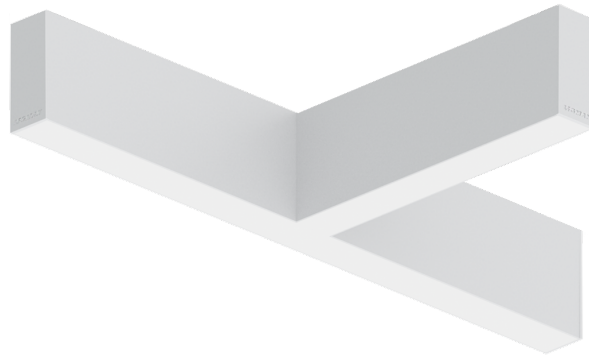


**NYBRO 18 (NYB-80912-SU)**



**Product description**

Down - T90° - 60x80 mm - 345 mm



microPrim™

**Luminaire Structure**

- Die-cast aluminium end-caps and extruded aluminium profile with powder coating
- Passive thermal management
- Stainless steel fasteners in grade 304 with zinc flake coating (ZFC)
- PMMA diffuser with Opal (UGR <19) and micro prismatic (UGR <13) options for better glare control

- Integral control gear
- Stainless steel brackets and screws for mounting
- Up and down light distribution options
- Wireless control available through Bluetooth connection

- Daylight and occupancy sensor options

**Optic**



**Product colour**



01 - Black (RAL 9011)    03 - White (RAL 9003)    05 - Matt Silver (RAL 9006)

**Special finishes upon request**



SU01 - Concrete - Urban    SU02 - Softscape - Urban    SU03 - Stone - Urban    SU04 - Corten - Urban



SW01 - Oak - Woodland    SW02 - Walnut - Woodland    SW03 - Pine - Woodland

**NYBRO 18 (NYB-80912-SU)**

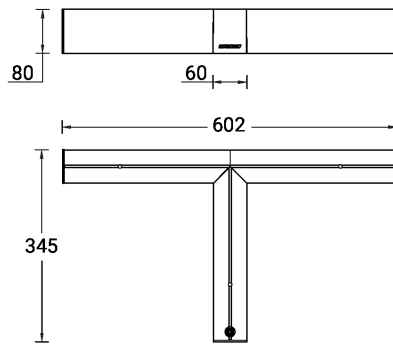
**Technical information**

|                      |                       |
|----------------------|-----------------------|
| <b>Material</b>      | Aluminium             |
| <b>Light source</b>  | 108 LED               |
| <b>Power</b>         | 21 W                  |
| <b>Lumen</b>         | 2028 - 2550 lm        |
| <b>Efficacy</b>      | 97 - 121 lm/W         |
| <b>Driver option</b> | Integral control gear |
| <b>Driver</b>        | Constant current (CC) |

|                        |   |
|------------------------|---|
| <b>Input voltage</b>   | 220-240 V 50/60 Hz  |
| <b>Optic</b>           | O, P  |
| <b>Optic value</b>     | Opal, Micro-prismatic   |
| <b>CCT / CRI</b>       | 3000K CRI80, 4000K CRI80  |
| <b>Dimming type</b>    | On/Off, DALI  |
| <b>Product colours</b> | Black, White, Matt Silver, Concrete - Urban, Softscape - Urban, Stone - Urban, Corten - Urban, Oak - Woodland, Walnut - Woodland, Pine - Woodland |
| <b>Weight</b>          | 3.8 kg  |

|                                |   |
|--------------------------------|---|
| <b>Operating temperature</b>   | -20 °C to 40 °C   |
| <b>MacAdam Ellipse</b>         | 3 SDCM  |
| <b>Lifetime L90B10 (hours)</b> | > 23,000  |
| <b>Lifetime L80B10 (hours)</b> | > 45,000  |
| <b>Lifetime L80B50 (hours)</b> | > 50,000  |
| <b>Variants (On/Off, DALI)</b> | Compatible with EN/ IEC 60598-2-22: Suitable for emergency installations as central supply, non-maintained (Z0) |

NYB-80912-SU



**NYBRO 18** (NYB-80912-SU)**Accessory**

---



---

Ceiling-mounting bracket  
**A81281**

---



---

Continuous-coupler bracket  
(60/70 mm Down & 60 mm  
Down & Up profile)  
**A81581**

---



---

DALI Control System  
**Control-DALI**

---