

**OULU 6** (OUL-80623)**Product description**

Down - 90° - R1000 - RGBW



microPrim™

**Luminaire Structure**

- Die-cast aluminium end-caps and extruded aluminium profile with powder coating
- Multiple angles available
- Passive thermal management
- Stainless steel fasteners in grade 304 with zinc flake coating (ZFC)
- Opal PMMA diffuser (UGR <19) for glare control
- Integral control gear
- Steel brackets for ceiling down mounting option
- Up and down light distribution options
- Wireless control available through Bluetooth connection

**Optic**

0

**Product colour**

01 - Black (RAL 9011)

03 - White (RAL 9003)

05 - Matt Silver (RAL 9006)

**Special finishes upon request**

SU01 - Concrete - Urban

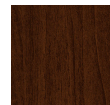
SU02 - Softscape - Urban

SU03 - Stone - Urban

SU04 - Corten - Urban



SW01 - Oak - Woodland



SW02 - Walnut - Woodland



SW03 - Pine - Woodland

**OULU 6** (OUL-80623)

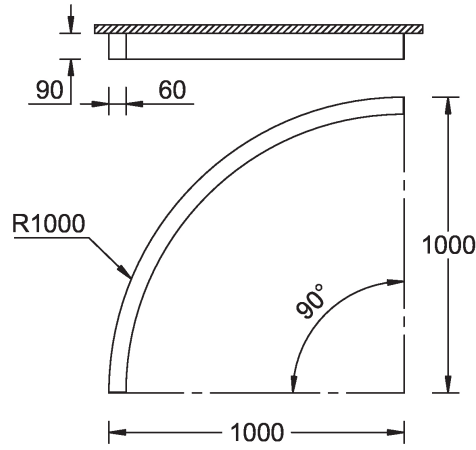
**Technical information**

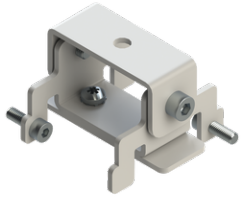
<b>Material</b>	Aluminium
<b>Light source</b>	480 LED
<b>Power</b>	26 W
<b>Lumen</b>	956 lm
<b>Efficacy</b>	37 lm/W
<b>Driver option</b>	Integral control gear

<b>Driver</b>	Constant current (CC)
<b>Input voltage</b>	220-240 V 50/60 Hz
<b>Optic</b>	0
<b>Optic value</b>	Opal
<b>CCT / CRI</b>	RGBW40
<b>Dimming type</b>	Bluetooth

<b>Product colours</b>	Black, White, Matt Silver, Concrete - Urban, Softscape - Urban, Stone - Urban, Corten - Urban, Oak - Woodland, Walnut - Woodland, Pine - Woodland
<b>Weight</b>	3.8 kg
<b>Operating temperature</b>	-20 °C to 40 °C
<b>Variants (Bluetooth)</b>	Compatible with EN/ IEC 60598-2-22: Suitable for emergency installations as central supply, non-maintained (Z0)

OUL-80623



**OULU 6** (OUL-80623)**Accessory**

Ceiling-mounting bracket (40 mm profile)  
**A81381**



Continuous-coupler bracket  
**A81781**



Xpress wireless switch  
**A90591**



DALI Control System  
**Control-DALI**