

ROBUST 2 (RO-80488-S)**Product description**

With remote box IP-rated / remote driver - Round - Stainless frame

**Luminaire Structure**

- Die-cast aluminium housing
- Pre-treated before powder coating ensuring high corrosion resistance
- Single cable entry
- Stainless steel fasteners in grade 304 with zinc flake coating (ZFC)
- Durable silicone rubber gasket
- Clear toughened glass
- High-efficiency optical reflector
- Remote driver (included)

Optic

AS

Product colour

00 - Stainless Steel

ROBUST 2 (RO-80488-S)

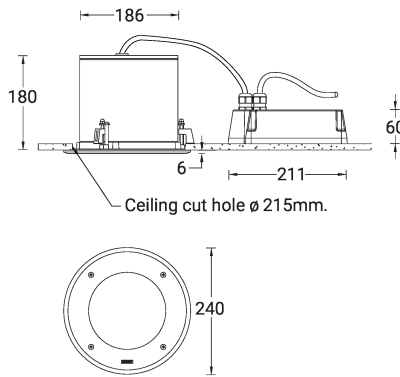
Technical information

Material	Stainless Steel
Light source	1 COB
Power	42 W
Lumen	3377 - 3418 lm
Efficacy	80 - 81 lm/W
Driver option	Remote driver (included)
Driver	Constant current (CC)
Input voltage	220-240 V 50/60 Hz

Optic	AS
Optic value	46°x 56°
CCT / CRI	3000K CRI80, 4000K CRI80
Bug	B2-U0-G0
ULR	<1%
ULOR	<1%
CIE flux code n°3	99
Dimming type	On/Off, DALI

Product colours	Stainless Steel
Weight	4.2 kg
Operating temperature	-20 °C to 40 °C
Through wiring	Single cable entry
Lens / Reflector / Optic	Clear toughened glass, High-efficiency optical reflector
MacAdam Ellipse	3 SDCM
Lifetime L90B10 (hours)	> 55,000
Variants (DALI)	Compatible with EN/ IEC 60598-2-22: Suitable for emergency installations as central supply, non-maintained (Z0)

RO-80488-S



ROBUST 2 (RO-80488-S)**Accessory**



Concrete box modification upon
request
CONCRETE-BOX



DALI Control System
Control-DALI
