

ECO 2 (EC-10505)



Product description

353x160 mm - 800 mm



microPrim™

Luminaire Structure

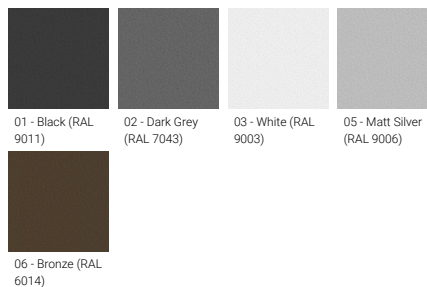
- Die-cast aluminium housing
- Formed sheet aluminium column
- Pre-treated before powder coating ensuring high corrosion resistance
- Single cable entry
- One IP68 connector supplied with 0.2 m of 3x1.0 sqmm outdoor cable
- Stainless steel fasteners in grade 304 with zinc flake coating (ZFC)
- Durable silicone rubber gasket
- Toughened linear spread lens
- Integral control gear

Optic

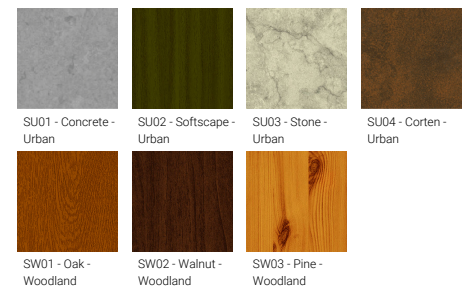


G

Product colour



Special finishes upon request



ECO 2 (EC-10505)

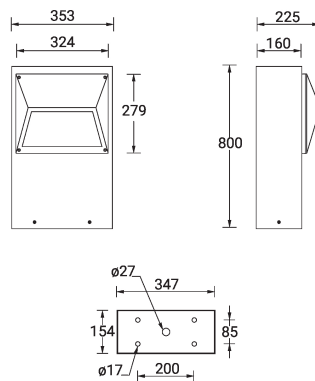
Technical information

Material	Aluminium
Light source	3 COB
Power	23 W
Lumen	713 - 769 lm
Efficacy	31 - 33 lm/W
Driver option	Integral control gear
Driver	Constant current (CC)
Input voltage	220-240 V 50/60 Hz
Optic	G

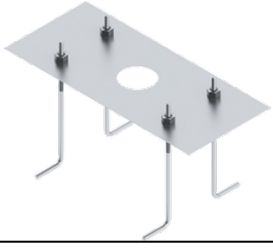
Optic value	110°x 61°
CCT / CRI	3000K CRI80, 4000K CRI80
Bug	B0-U2-G1
ULR	8%
ULOR	8%
CIE flux code n°3	90
Dimming type	On/Off, 1-10V, DALI
Product colours	Black, Dark Grey, White, Matt Silver, Bronze, Concrete - Urban, Softscape - Urban, Stone - Urban, Corten - Urban, Oak - Woodland, Walnut - Woodland, Pine - Woodland
Weight	9.3 kg

Operating temperature	-20 °C to 40 °C
Cable	One IP68 connector supplied with 0.2 m of 3x1.0 sqmm outdoor cable
Through wiring	Single cable entry
Lens / Reflector / Optic	Toughened linear spread lens
MacAdam Ellipse	3 SDCM
Lifetime L90B10 (hours)	> 50,000
Variants (On/Off, 1-10V, DALI)	Compatible with EN/ IEC 60598-2-22: Suitable for emergency installations as central supply, non-maintained (Z0)

EC-10505



ECO 2 (EC-10505)**Accessory**



Anchor bolt
A10591



DALI Control System
Control-DALI