

FORREY 9 (FOR-20011)



Product description

Top Ø660 mm - With shade & opal diffuser



microPrim™

Luminaire Structure

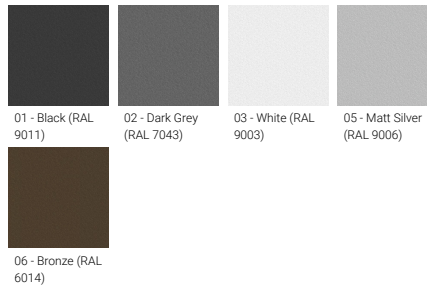
- Die-cast aluminium housing
- Pre-treated before powder coating ensuring high corrosion resistance
- Extruded aluminium column
- Models with shade will have colour white coating at inside of shade luminaire and outside surface coating according to colour of luminaire
- Single cable entry
- One IP68 connector supplied with 0.2 m of 3x1.0 sqmm outdoor cable
- Stainless steel fasteners in grade 304 with zinc flake coating (ZFC)
- Durable silicone rubber gasket
- Opal UV-stabilised polycarbonate diffuser
- Integral control gear
- FORREY luminaires with opal lens and colder than 3000K CCT do not meet the IDA certification requirements

Optic

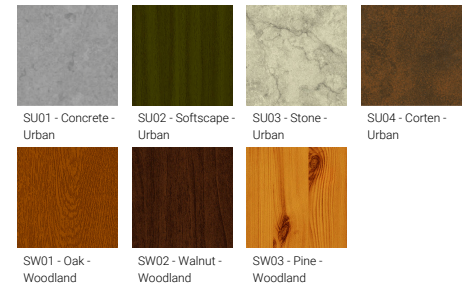


G

Product colour



Special finishes upon request



FORREY 9 (FOR-20011)

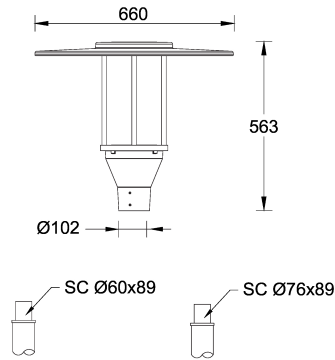
Technical information

Material	Aluminium
Light source	160 LED
Power	50 W
Lumen	3903 - 4197 lm
Efficacy	78 - 84 lm/W
Driver option	Integral control gear
Driver	Constant current (CC)
Input voltage	220-240 V 50/60 Hz
Optic	G
Optic value	360°

CCT / CRI	3000K CRI80, 4000K CRI80
Bug	B2-U4-G3
ULR	29%
ULOR	29%
CIE flux code n°3	72
Dimming type	On/Off, 1-10V, DALI
Product colours	Black, Dark Grey, White, Matt Silver, Bronze, Concrete - Urban, Softscape - Urban, Stone - Urban, Corten - Urban, Oak - Woodland, Walnut - Woodland, Pine - Woodland
Weight	12.4 kg
Operating temperature	-20 °C to 40 °C
EPA (m2)	0.065

Cable	One IP68 connector supplied with 0.2 m of 3x1.0 sqmm outdoor cable
Through wiring	Single cable entry
Lens / Reflector / Optic	Opal UV-stabilised polycarbonate diffuser
MacAdam Ellipse	3 SDCM
Lifetime L90B10 (hours)	> 23,000
Lifetime L80B10 (hours)	> 45,000
Lifetime L80B50 (hours)	> 49,000
Variants (DALI)	Compatible with EN/ IEC 60598-2-22: Suitable for emergency installations as central supply, non-maintained (Z0)

FOR-20011



FORREY 9 (FOR-20011)

Accessory



DALI Control System
Control-DALI
