

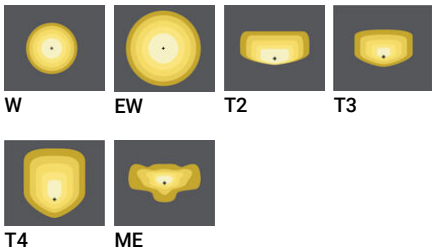
MACARON 1 (MC-20001) (Version 2)



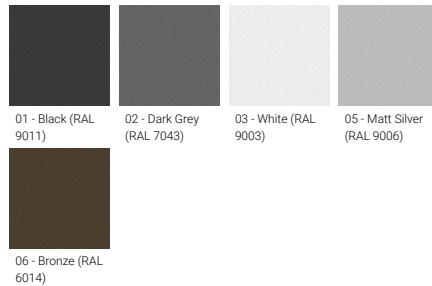
Luminaire Structure

- Die-cast aluminium housing and frame
- Pre-treated before powder coating ensuring high corrosion resistance
- Customised dimensions are available as standard upon request
- Single cable entry
- One IP68 connector supplied with 0.2 m of 3x1.0 sqmm outdoor cable
- Stainless steel fasteners in grade 304 with zinc flake coating (ZFC)
- Durable silicone rubber gasket
- Clear toughened glass
- High-efficiency PMMA lens
- Integral control gear

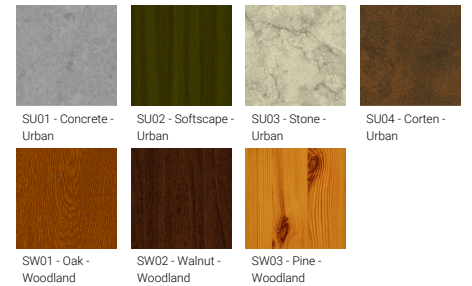
Optic



Product colour



Special finishes upon request



MACARON 1 (MC-20001) (Version 2)

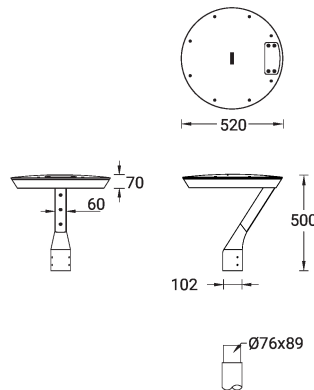
Technical information

| | |
|----------------------|--|
| Material | Aluminium |
| Light source | 2 x 24 LED |
| Power | 81 W |
| Lumen | 9161 - 9960 lm |
| Efficacy | 113 - 123 lm/W |
| Driver option | Integral control gear |
| Driver | Constant current (CC) |
| Input voltage | 220-240 V 50/60 Hz |
| Optic | W, EW, T2, T3, T4, ME |
| Optic value | 51°x56°, 105°x113°, 54°x137°, 85°x119°, 73°x101°, 58°x136° |

| | |
|------------------------------|--|
| CCT / CRI | 3000K CRI80, 4000K CRI80 |
| Bug | B2-U1-G2, B3-U1-G1, B3-U1-G2, B3-U1-G3 |
| ULR | <1% |
| ULOR | <1% |
| CIE flux code n°3 | 97, 98, 99 |
| Dimming type | On/Off, 1-10V, DALI |
| Product colours | Black, Dark Grey, White, Matt Silver, Bronze, Concrete - Urban, Softscape - Urban, Stone - Urban, Corten - Urban, Oak - Woodland, Walnut - Woodland, Pine - Woodland |
| Weight | 10.0 kg |
| Operating temperature | -20 °C to 50 °C |
| EPA (m2) | 0.068 |

| | |
|---------------------------------------|---|
| Cable | One IP68 connector supplied with 0.2 m of 3x1.0 sqmm outdoor cable |
| Through wiring | Single cable entry |
| Lens / Reflector / Optic | Clear toughened glass, High-efficiency PMMA lens |
| MacAdam Ellipse | 3 SDCM |
| Lifetime L90B10 (hours) | > 90,000 |
| Lifetime L80B10 (hours) | > 90,000 |
| Lifetime L80B50 (hours) | > 90,000 |
| Variants (On/Off, 1-10V, DALI) | Compatible with EN/ IEC 60598-2-22: Suitable for emergency installations as central supply, non-maintained (Z0) |

MC-20001



MACARON 1 (MC-20001) (Version 2)

Accessory



DALI Control System
Control-DALI
