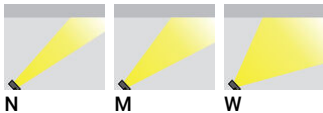


NEMO 3 (NM-50021) (Version 1)**Product description**

Without remote box IP-rated - With remote driver -
Constant current (CC) 2670 mA

**Luminaire Structure**

- Stainless steel body in grade 316
- Single cable entry
- One cable gland supplied with 2 m of 2x1.0 sqmm outdoor cable
- Stainless steel fasteners in grade 316
- Durable silicone rubber gasket
- Clear toughened glass
- High-efficiency optical reflector
- Remote driver (included)
- Remote box IP-rated is not included and is to be ordered separately for constant current (CC) products
- Luminaire must be submerged when operational
- Maximum depth 2 m
- Outdoor cable needs to be ordered with a specific length

Optic**Product colour**

00 - Stainless Steel

NEMO 3 (NM-50021) (Version 1)

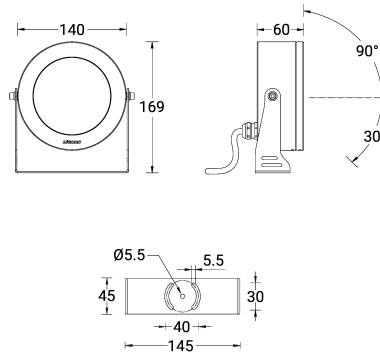
Technical information

Material	Stainless Steel
Light source	1 COB
Power	38 W
Lumen	2851 - 3130 lm
Efficacy	75 - 82 lm/W
Driver option	Remote driver (included)
Driver	Constant current (CC)
Input voltage	2670 mA, 12 VDC

Optic	N, M, W
Optic value	24°, 37°, 44°
CCT / CRI	3000K CRI80, 4000K CRI80
Bug	B2-U0-G0
ULR	<1%
ULOR	<1%
CIE flux code n°3	100
Dimming type	On/Off, 1-10V

Product colours	Stainless Steel
Weight	2.9 kg
Operating temperature	-20 °C to 35 °C
Cable	One cable gland supplied with 2 m of 2x1.0 sqmm outdoor cable
Through wiring	Single cable entry
Lens / Reflector / Optic	Clear toughened glass, High-efficiency optical reflector

NM-50021



NEMO 3 (NM-50021) (Version 1)**Accessory**



Remote box IP65
A61851
