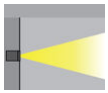


OREGON 1 (OR-60895)**Product description**

Without remote box IP-rated - With remote driver /
recessing box - Constant current (CC) 500 mA

**Luminaire Structure**

- Stainless steel body in grade 316
- Single cable entry
- One cable gland supplied with 2 m of 2x1.0 sqmm outdoor cable
- Stainless steel fasteners in grade 316
- Durable silicone rubber gasket
- Clear toughened glass
- Remote driver (included)
- Remote box IP-rated is not included and is to be ordered separately for constant current (CC) products
- Recessing box in high-density polyethylene is included
- Luminaire must be submerged when operational
- Maximum depth 1 m
- Outdoor cable needs to be ordered with a specific length

Optic

N

Product colour00 - Stainless
Steel

OREGON 1 (OR-60895)

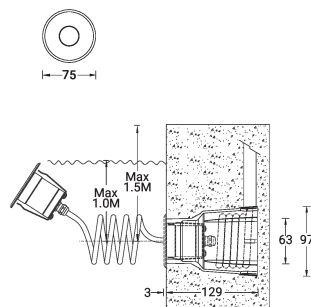
Technical information

Material	Stainless Steel
Light source	1 LED
Power	2 W
Lumen	191 - 201 lm
Efficacy	96 - 101 lm/W
Driver option	Remote driver (included)
Driver	Constant current (CC)
Input voltage	500 mA, 3 VDC
Optic	N

Optic value	22°
CCT / CRI	3000K CRI80, 4000K CRI80
Bug	B0-U0-G0
ULR	<1%
ULOR	<1%
CIE flux code n°3	100
Dimming type	On/Off, 1-10V, DALI
Product colours	Stainless Steel
Weight	0.6 kg

Operating temperature	-20 °C to 40 °C
Cable	One cable gland supplied with 2 m of 2x1.0 sqmm outdoor cable
Through wiring	Single cable entry
Lens / Reflector / Optic	Clear toughened glass
MacAdam Ellipse	3 SDCM
Lifetime L90B10 (hours)	> 109,000
Lifetime L80B10 (hours)	> 109,000
Lifetime L80B50 (hours)	> 109,000

OR-60896



OREGON 1 (OR-60895)

Accessory



DALI Control System
Control-DALI



Remote box IP65
A80191
