

SMITH 1 (SM-10693)



Product description

Round - Ø160 - 1209 mm - IP65



microPrim™

Luminaire Structure

- Die-cast aluminium housing
- Extruded aluminium column
- Pre-treated before powder coating ensuring high corrosion resistance
- Single cable entry
- One IP68 connector supplied with 0.2 m of 3x1.0 sqmm outdoor cable
- Stainless steel fasteners in grade 304 with zinc flake coating (ZFC)
- Durable silicone rubber gasket
- Opal UV-stabilised polycarbonate diffuser
- Integral control gear

Optic



G

Product colour



Special finishes upon request



SMITH 1 (SM-10693)

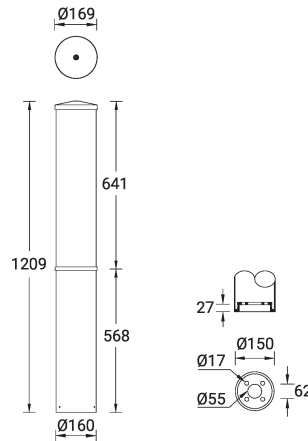
Technical information

| | |
|----------------------|-----------------------|
| Material | Aluminium |
| Light source | 96 LED |
| Power | 28 W |
| Lumen | 3586 - 3775 lm |
| Efficacy | 128 - 135 lm/W |
| Driver option | Integral control gear |
| Driver | Constant current (CC) |
| Input voltage | 220-240 V 50/60 Hz |
| Optic | G |

| | |
|--------------------------|--|
| Optic value | 360° |
| CCT / CRI | 3000K CRI80, 4000K CRI80 |
| Bug | B1-U5-G2 |
| ULR | 50% |
| ULOR | 50% |
| CIE flux code n°3 | 67 |
| Dimming type | On/Off, 1-10V, DALI |
| Product colours | Black, Dark Grey, White, Matt Silver, Bronze, Concrete - Urban, Softscape - Urban, Stone - Urban, Corten - Urban, Oak - Woodland, Walnut - Woodland, Pine - Woodland |
| Weight | 7.9 kg |

| | |
|---------------------------------------|---|
| Operating temperature | -20 °C to 40 °C |
| Cable | One IP68 connector supplied with 0.2 m of 3x1.0 sqmm outdoor cable |
| Through wiring | Single cable entry |
| Lens / Reflector / Optic | Opal UV-stabilised polycarbonate diffuser |
| MacAdam Ellipse | 3 SDCM |
| Lifetime L90B10 (hours) | > 23,000 |
| Lifetime L80B10 (hours) | > 45,000 |
| Lifetime L80B50 (hours) | > 50,000 |
| Variants (On/Off, 1-10V, DALI) | Compatible with EN/ IEC 60598-2-22: Suitable for emergency installations as central supply, non-maintained (Z0) |

SM-10693



SMITH 1 (SM-10693)

Accessory



Anchor bolt
A10291



DALI Control System
Control-DALI