

**TANGO 32 (TA-31891)**



**Product description**

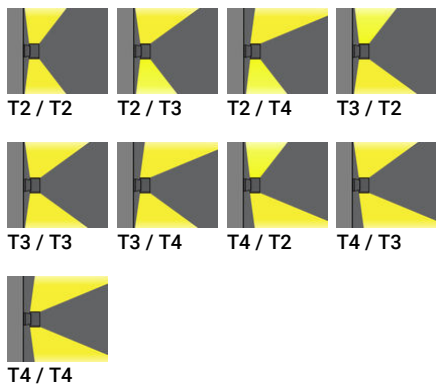
186x186 mm - 290 mm - Down (Optic) & Up (Optic 2nd) - Square



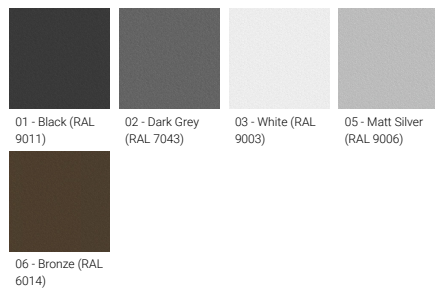
**Luminaire Structure**

- Die-cast aluminium housing and frame
- Pre-treated before powder coating ensuring high corrosion resistance
- Single cable entry
- Stainless steel fasteners in grade 304 with zinc flake coating (ZFC)
- Durable silicone rubber gasket
- Clear toughened glass
- High-efficiency PMMA lens
- Integral control gear
- Optional surface mounting box for easy wiring or conduit connection when wiring from behind is not possible
- TANGO luminaires with uplight and colder than 3000K CCT do not meet the IDA certification requirements

**Optic**



**Product colour**



**Special finishes upon request**



**TANGO 32 (TA-31891)**

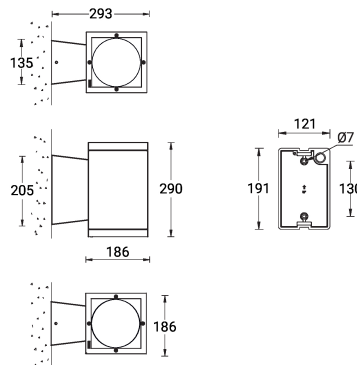
**Technical information**

<b>Material</b>	Aluminium
<b>Light source</b>	16 & 16 LED
<b>Power</b>	70 W
<b>Lumen</b>	6952 - 7526 lm
<b>Efficacy</b>	101 - 109 lm/W
<b>Driver option</b>	Integral control gear
<b>Driver</b>	Constant current (CC)
<b>Input voltage</b>	220-240 V 50/60 Hz
<b>Optic</b>	T2, T3, T4

<b>Optic value</b>	138°x43°, 147°x78°, 11°x80°
<b>Optic (2nd)</b>	T2, T3, T4
<b>Optic (2nd) value</b>	138°x43°, 147°x78°, 11°x80°
<b>CCT / CRI</b>	3000K CRI80, 4000K CRI80
<b>Bug</b>	B1-U0-G1, B1-U5-G1, B2-U0-G0, B3-U0-G1
<b>ULR</b>	49%, 50%, 51%
<b>ULOR</b>	49%, 50%, 51%
<b>Dimming type</b>	On/Off, 1-10V, DALI
<b>Product colours</b>	Black, Dark Grey, White, Matt Silver, Bronze, Concrete - Urban, Softscape - Urban, Stone - Urban, Corten - Urban, Oak - Woodland, Walnut - Woodland, Pine - Woodland

<b>Weight</b>	8.4 kg
<b>Operating temperature</b>	-20 °C to 40 °C
<b>Through wiring</b>	Single cable entry
<b>Lens / Reflector / Optic</b>	Clear toughened glass, High-efficiency PMMA lens
<b>MacAdam Ellipse</b>	3 SDCM
<b>Lifetime L90B10 (hours)</b>	> 90,000
<b>Lifetime L80B10 (hours)</b>	> 90,000
<b>Lifetime L80B50 (hours)</b>	> 90,000
<b>Variants (1-10V)</b>	Compatible with EN/ IEC 60598-2-22: Suitable for emergency installations as central supply, non-maintained (Z0)

TA-31891



**TANGO 32** (TA-31891)**Accessory**

---



---

Surface mounting box for easy  
cabling (TANGO 32)  
**SCE-TANGO-32**

---



---

DALI Control System  
**Control-DALI**

---