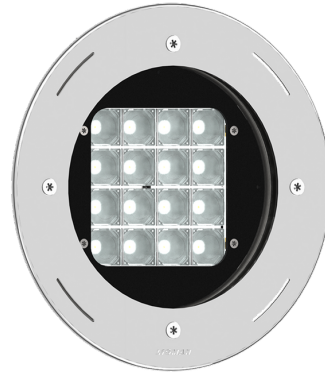


**BORNHOLM 4 (BOH-60033) (Version 1)**



**Product description**

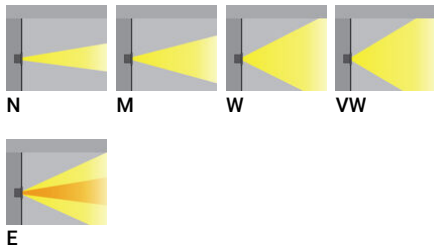
Without remote driver - With recessing box - Constant voltage (CV) 24 V



**Luminaire Structure**

- Stainless steel body in grade 316
- Single cable entry
- One cable gland supplied with 2 m of 2x1.0 sqmm outdoor cable
- Stainless steel fasteners in grade 316
- Durable silicone rubber gasket
- Clear toughened glass
- Remote driver (not included)
- Remote box IP-rated is not included and is to be ordered separately for constant current (CC) products
- Recessing box in stainless steel 316 grade
- Luminaire must be submerged when operational
- Maximum depth 2 m
- Outdoor cable needs to be ordered with a specific length
- Maximum distance of the Remote DMX/RDM decoder is 8 m

**Optic**



**Product colour**



**BORNHOLM 4** (BOH-60033) (Version 1)

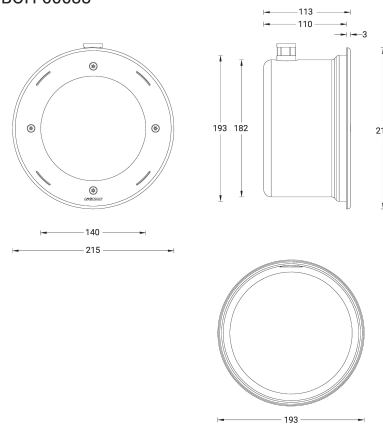
**Technical information**

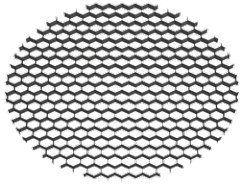
<b>Material</b>	Stainless Steel
<b>Light source</b>	16 LED
<b>Power</b>	32 W
<b>Lumen</b>	3276 - 4038 lm
<b>Efficacy</b>	102 - 126 lm/W
<b>Driver option</b>	Remote driver (not included)
<b>Driver</b>	Constant voltage (CV)
<b>Input voltage</b>	24 VDC
<b>Optic</b>	N, M, W, VW, E

<b>Optic value</b>	11°, 17°, 32°, 71°x58°, 43°x11°
<b>CCT / CRI</b>	3000K CRI80, 4000K CRI80
<b>Bug</b>	B3-U0-G0
<b>ULR</b>	<1%
<b>ULOR</b>	<1%
<b>CIE flux code n°3</b>	100
<b>Dimming type</b>	On/Off
<b>Product colours</b>	Stainless Steel
<b>Weight</b>	3.6 kg

<b>Operating temperature</b>	-20 °C to 40 °C
<b>Cable</b>	One cable gland supplied with 2 m of 2x1.0 sqmm outdoor cable
<b>Through wiring</b>	Single cable entry
<b>Lens / Reflector / Optic</b>	Clear toughened glass
<b>MacAdam Ellipse</b>	3 SDCM
<b>Lifetime L90B10 (hours)</b>	> 120,000
<b>Lifetime L80B10 (hours)</b>	> 120,000
<b>Lifetime L80B50 (hours)</b>	> 120,000

BOH-60033



**BORNHOLM 4 (BOH-60033) (Version 1)****Accessory**

Honeycomb louvre  
**A52521**



Driver (CV) - On/Off - 36 W - IP67  
- 24 V  
**A34491-ND**



Driver (CV) - On/Off - 60 W - IP67  
- 24 V  
**A34591-ND**



Driver (CV) - On/Off - 100 W -  
IP67 - 24 V  
**A34791-ND**



Driver (CV) - On/Off - 150 W -  
IP67 - 24 V  
**A34891-ND**



Driver (CV) - On/Off - 200 W -  
IP67 - 24 V  
**A34991-ND**



Driver (CV) - On/Off - 350 W -  
IP67 - 24 V  
**A35091-ND**