

NATURE SOURCE 1 (NAT-20001)



Product description

35 hours of operation time (2 Step dimming with motion sensor override) – 2 days of autonomy



microPrim™

SOLAR
POWERED

MOTION SENSOR

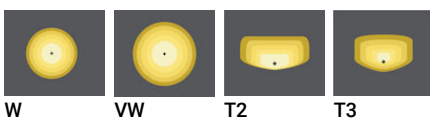
Luminaire Structure

- Die-cast aluminium end-caps
- Extruded aluminium housing and frame
- Pre-treated before powder coating ensuring high corrosion resistance
- Thermal heat dissipation body
- Stainless steel fasteners in grade 304 with zinc flake coating (ZFC)
- Durable silicone rubber gasket
- Clear glass diffuser
- Integral control gear

- Solar module consist of monocrystalline high efficiency cells 5x15W
- Lithium Iron Phosphate (LiFePO4) battery 2x18Ah 12 VDC
- Solar charger controller system 12V 10A
- Luminaires operation time depends on the weather conditions
- Full automatic electronic protection function against short circuit, overcurrent, overload, overvoltage and high temperature
- Standard: Off-grid, 100% solar, not connected to the utility grid. Utility grid connection is available upon request
- Without any sun (Autonomy), the battery would last for a maximum of 2 days
- * Motion sensor integrated

- Different dimming options are available
- STD: 2 Step dimming with motion sensor override (3 hours: 60% without movement, 100% for 1 minute when the motion sensor activated. After 3 hours: 30% without movement, 60% for 1 minute when the motion sensor activated)
- ND: Dusk to Dawn, CT: Custom examples are 5 Step dimming, Custom hours, Custom dimming levels (Step length and minimum dim level is 10%)
- Maximum 35 hours of operation time (2 Step dimming with motion sensor override)
- Remote solar charge controller can be ordered as an accessory
- Autonomy and Operation time calculations are done with the following information: Peak Sun-Hour (PSH) is 3 hours. Hours of operation are 12 hours per day. Detection of movement is 10 times per hour.
- Autonomy and Operation time calculations are only indicative and will depend on several variable factors. Please contact the factory to determine the specific calculations for your project.

Optic



W VW T2 T3

Product colour

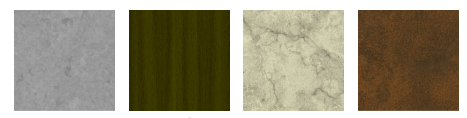


01 - Black (RAL 9011) 02 - Dark Grey (RAL 7043) 03 - White (RAL 9003) 05 - Matt Silver (RAL 9006)



06 - Bronze (RAL 6014)

Special finishes upon request



SU01 - Concrete - Urban SU02 - Softscape - Urban SU03 - Stone - Urban SU04 - Corten - Urban



SW01 - Oak - Woodland SW02 - Walnut - Woodland SW03 - Pine - Woodland

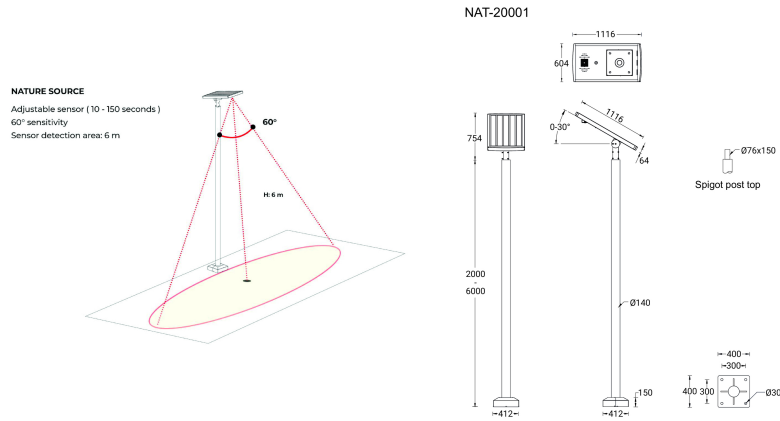
NATURE SOURCE 1 (NAT-20001)

Technical information

Material	Aluminium
Light source	28 LED
Power	10 W
Lumen	1273 - 1363 lm
Efficacy	127 - 136 lm/W
Driver option	Integral control gear
Driver	Constant voltage (CV)
Input voltage	SOLAR
Optic	W, VW, T2, T3

Optic value	86°, 114°, 28°x148°, 37°x151°
CCT / CRI	3000K CRI80, 4000K CRI80
Bug	B0-U0-G1, B1-U0-G0
ULR	<1%
ULOR	<1%
CIE flux code n°3	94, 96, 97, 98
Dimming type	Dusk to Dawn, 2 Step dimming with motion sensor override, Solar Custom
Product colours	Black, Dark Grey, White, Matt Silver, Bronze, Concrete - Urban, Softscape - Urban, Stone - Urban, Corten - Urban, Oak - Woodland, Walnut - Woodland, Pine - Woodland
Weight	25.5 kg

Operating temperature	-20 °C to 40 °C
EPA (m2)	0.110
Lens / Reflector / Optic	Clear glass diffuser
MacAdam Ellipse	3 SDCM
Lifetime L90B10 (hours)	> 90,000
Lifetime L80B10 (hours)	> 90,000
Lifetime L80B50 (hours)	> 90,000



NATURE SOURCE 1 (NAT-20001)**Accessory**

Remote solar charge controller
for Solar Integrated Post Top
luminaire
A92291



2 m - Cylindrical, straight
galvanised steel pole for
NATURE SOURCE
SPD120140-NAT



3 m - Cylindrical, straight
galvanised steel pole for
NATURE SOURCE
SPD130140-NAT



4 m - Cylindrical, straight
galvanised steel pole for
NATURE SOURCE
SPD140140-NAT



5 m - Cylindrical, straight
galvanised steel pole for
NATURE SOURCE
SPD150140-NAT



6 m - Cylindrical, straight
galvanised steel pole for
NATURE SOURCE
SPD160140-NAT



Auto dimming feature
auto-dim