

OULU 6 (OUL-80702)



Product description

Down (Optic) & Up (Optic 2nd) - 90° - R500 - Tunable White



microPrim™

Luminaire Structure

- Die-cast aluminium end-caps and extruded aluminium profile with powder coating
- Multiple angles available
- Passive thermal management
- Stainless steel fasteners in grade 304 with zinc flake coating (ZFC)

- Opal PMMA diffuser (UGR <19) for glare control
- Integral control gear
- Steel brackets for ceiling down mounting option
- Up and down light distribution options

- Wireless control available through Bluetooth connection

Optic



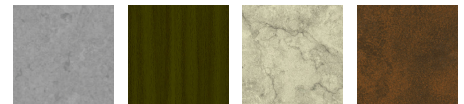
0

Product colour

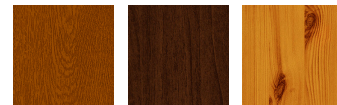


01 - Black (RAL 9011) 03 - White (RAL 9003) 05 - Matt Silver (RAL 9006)

Special finishes upon request



SU01 - Concrete - Urban SU02 - Softscape - Urban SU03 - Stone - Urban SU04 - Corten - Urban



SW01 - Oak - Woodland SW02 - Walnut - Woodland SW03 - Pine - Woodland

OULU 6 (OUL-80702)

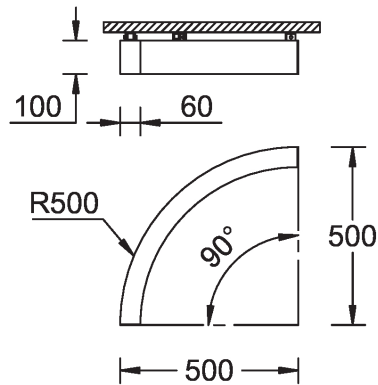
Technical information

| | |
|----------------------|-----------------------|
| Material | Aluminium |
| Light source | 192 LED |
| Power | 25 W |
| Driver option | Integral control gear |
| Driver | Constant current (CC) |

| | |
|------------------------|---|
| Input voltage | 220-240 V 50/60 Hz |
| Optic | O |
| CCT / CRI | TW (2700K - 6500K) |
| Dimming type | DALI |
| Product colours | Black, White, Matt Silver, Concrete - Urban, Softscape - Urban, Stone - Urban, Corten - Urban, Oak - Woodland, Walnut - Woodland, Pine - Woodland |

| | |
|------------------------------|---|
| Weight | 2.8 kg |
| Operating temperature | -20 °C to 40 °C |
| Variants (DALI) | Compatible with EN/ IEC 60598-2-22: Suitable for emergency installations as central supply, non-maintained (Z0) |

OUL-80702



OULU 6 (OUL-80702)**Accessory**

Continuous-coupler bracket
A81781



Wireless bluetooth converter
A90291



Xpress wireless switch
A90591



DALI Control System
Control-DALI