

**PARAGON 2 (PR-50011)**



**Product description**

Square



microPrim™

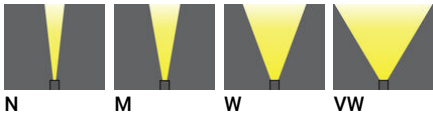
**Luminaire Structure**

- Extruded aluminium housing
- Pre-treated before powder coating ensuring high corrosion resistance
- Single cable entry

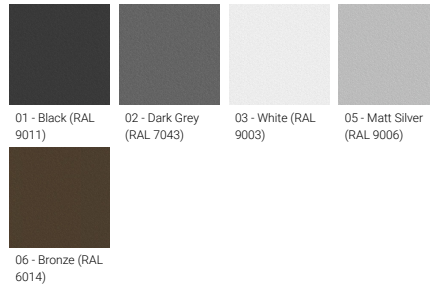
- Stainless steel fasteners in grade 304 with zinc flake coating (ZFC)
- Durable silicone rubber gasket
- High-efficiency optical reflector

- Clear toughened glass
- Integral control gear

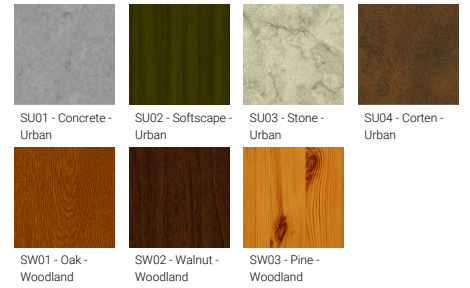
**Optic**



**Product colour**



**Special finishes upon request**



**PARAGON 2 (PR-50011)**

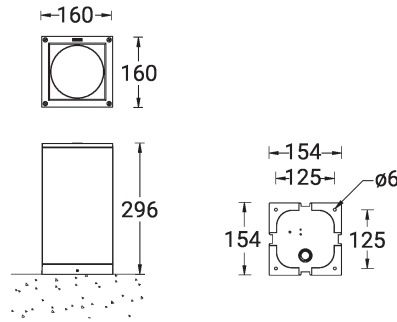
**Technical information**

<b>Material</b>	Aluminium
<b>Light source</b>	1 COB
<b>Power</b>	35 W
<b>Lumen</b>	3475 - 4094 lm
<b>Efficacy</b>	99 - 117 lm/W
<b>Driver option</b>	Integral control gear
<b>Driver</b>	Constant current (CC)
<b>Input voltage</b>	220-240 V 50/60 Hz
<b>Optic</b>	N, M, W, VW

<b>Optic value</b>	16°, 26°, 42°, 59°
<b>CCT / CRI</b>	3000K CRI80, 4000K CRI80
<b>Bug</b>	B0-U5-G0
<b>ULR</b>	100%
<b>ULOR</b>	100%
<b>Dimming type</b>	On/Off, 1-10V, DALI
<b>Product colours</b>	Black, Dark Grey, White, Matt Silver, Bronze, Concrete - Urban, Softscape - Urban, Stone - Urban, Corten - Urban, Oak - Woodland, Walnut - Woodland, Pine - Woodland
<b>Weight</b>	2.6 kg
<b>Operating temperature</b>	-20 °C to 40 °C

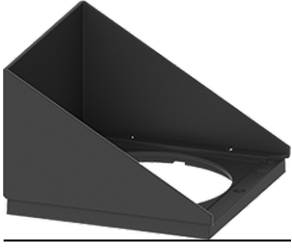
<b>EPA (m2)</b>	0.047
<b>Through wiring</b>	Single cable entry
<b>Lens / Reflector / Optic</b>	High-efficiency optical reflector, Clear toughened glass
<b>MacAdam Ellipse</b>	3 SDCM
<b>Lifetime L90B10 (hours)</b>	> 50,700
<b>Lifetime L80B10 (hours)</b>	> 63,500
<b>Lifetime L80B50 (hours)</b>	> 63,500
<b>Variants (1-10V, DALI)</b>	Compatible with EN/ IEC 60598-2-22: Suitable for emergency installations as central supply, non-maintained (Z0)

PR-50011



**PARAGON 2 (PR-50011)****Accessory**

---



Anti-glare visor  
**A51931**



DALI Control System  
**Control-DALI**