

VEKTER 13 (VK-20011)



Product description

2 sides - Supplied with specific 4 m cylindrical, tapered galvanised steel pole: SPT240118-VK-11-14



microVos

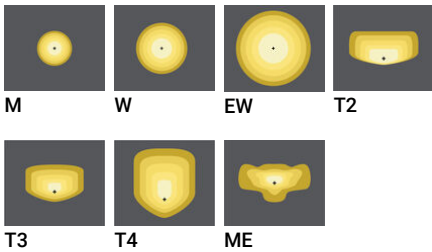
microPrim™



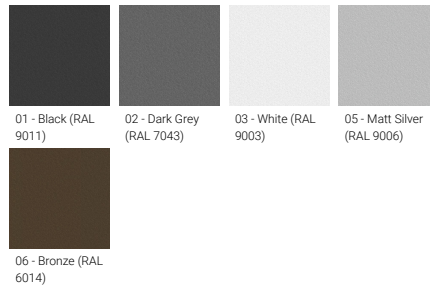
Luminaire Structure

- Die-cast aluminium housing
- Pre-treated before powder coating ensuring high corrosion resistance
- Single cable entry
- One cable gland supplied with 1 m of 3x1.0 sqmm outdoor cable
- Stainless steel fasteners in grade 304 with zinc flake coating (ZFC)
- Durable silicone rubber gasket
- Clear toughened glass
- High-efficiency PMMA lens
- Integral control gear
- Maximum wind load resistance is 140 km/h
- Surge protection 10kV

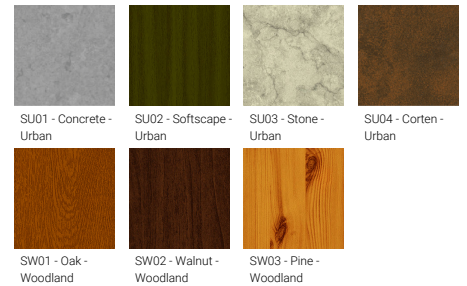
Optic



Product colour



Special finishes upon request



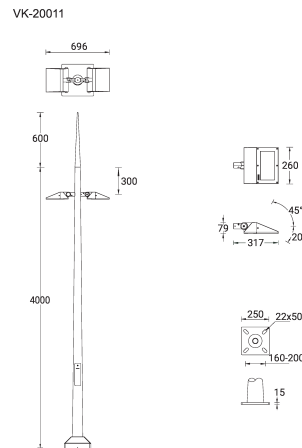
VEKTER 13 (VK-20011)

Technical information

Material	Aluminium
Light source	2 x 12 LED
Power	40 W
Lumen	4660 - 5464 lm
Efficacy	123 - 144 lm/W
Driver option	Integral control gear
Driver	Constant current (CC)
Input voltage	220-240 V 50/60 Hz
Optic	M, W, EW, T2, T3, T4, ME
Optic value	30°, 56°, 114°, 139°x60°, 123°x87°, 106°x72°, 140°x62°

CCT / CRI	2700K CRI80, 3000K CRI80, 4000K CRI80
Bug	B1-U0-G0, B1-U0-G1, B2-U0-G0
ULR	<1%
ULOR	<1%
CIE flux code n°3	97, 99
Dimming type	On/Off, 1-10V, DALI
Product colours	Black, Dark Grey, White, Matt Silver, Bronze, Concrete - Urban, Softscape - Urban, Stone - Urban, Corten - Urban, Oak - Woodland, Walnut - Woodland, Pine - Woodland
Weight	56.2 kg
Operating temperature	-20 °C to 50 °C
EPA (m2)	0.023

Cable	One cable gland supplied with 1 m of 3x1.0 sqmm outdoor cable
Through wiring	Single cable entry
Lens / Reflector / Optic	Clear toughened glass, High-efficiency PMMA lens
MacAdam Ellipse	3 SDCM
Lifetime L90B10 (hours)	> 90,000
Lifetime L80B10 (hours)	> 90,000
Lifetime L80B50 (hours)	> 90,000
Variants (On/Off, 1-10V, DALI)	Compatible with EN/ IEC 60598-2-22: Suitable for emergency installations as central supply, non-maintained (Z0)



VEKTER 13 (VK-20011)**Accessory**



Root mount kit
A20491



Circuit breaker box IP44
A21291



DALI Control System
Control-DALI