

ARDEN 3 (ARD-80235)



Product description

Down - 595 mm - RGBW DMX



microPrim™

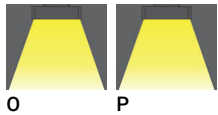
Luminaire Structure

- Extruded aluminium bended profile with powder coating
- Passive thermal management
- Stainless steel fasteners in grade 304 with zinc flake coating (ZFC)

- PMMA diffuser with Opal (UGR <19) and micro prismatic (UGR <13) options for better glare control
- Integral control gear
- Down light distribution only

- Wireless control available through Bluetooth connection
- Emergency module (1 or 3 hours) is available upon request with 3 options (BASIC, SELF-TEST, PRO-DALI)

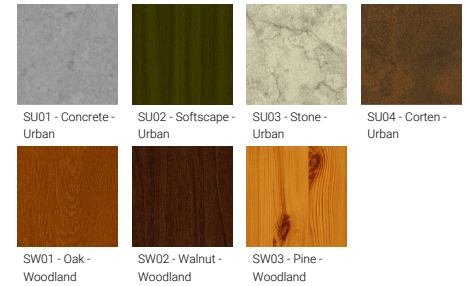
Optic



Product colour



Special finishes upon request



ARDEN 3 (ARD-80235)

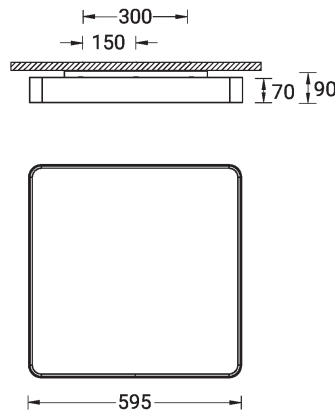
Technical information

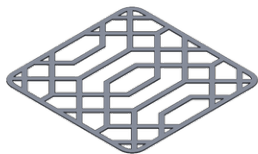
Material	Aluminium
Light source	2688 LED
Power	84 W
Lumen	2541 lm
Efficacy	30 lm/W
Driver option	Integral control gear

Driver	Constant current (CC)
Input voltage	220-240 V 50/60 Hz
Optic	O, P
Optic value	108°, 93°
CCT / CRI	RGBW40
Dimming type	DMX, DMX/RDM

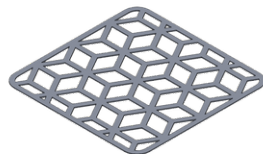
Product colours	Black, White, Matt Silver, Concrete - Urban, Softscape - Urban, Stone - Urban, Corten - Urban, Oak - Woodland, Walnut - Woodland, Pine - Woodland
Weight	7.4 kg
Operating temperature	-20 °C to 40 °C
Lens / Reflector / Optic	PMMA diffuser with Opal (UGR <19) and micro prismatic (UGR <13) options for better glare control
Variants (DMX/RDM)	Compatible with EN/ IEC 60598-2-22: Suitable for emergency installations as central supply, non-maintained (Z0)

ARD-80235

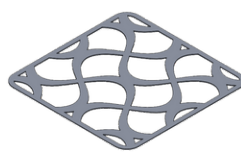


ARDEN 3 (ARD-80235)**Accessory**

Decorative pattern - Type A for
ARDEN 300 mm
A91421



Decorative pattern - Type B for
ARDEN 300 mm
A92821



Decorative pattern - Type C for
ARDEN for ARDEN 300 mm
A94221



PoE Connect
A64591



DMX Control System
Control-DMX



DMX/RDM Control System
Control-DMX-RDM