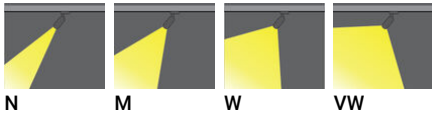
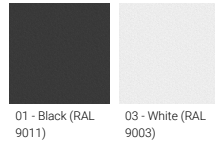


BELIZE 2 (BEZ-80011)**Product description**

Ø74 - 256 mm

**Luminaire Structure**

- Extruded aluminium housing with powder coating
- Adjustable: Tilt 180°, Rotation 360°
- Stainless steel fasteners in grade 304 with zinc flake coating (ZFC)
- High-efficiency optical reflector or high-efficiency polycarbonate lens
- Integral control gear
- With 3-phase universal adapter

Optic**Product colour**

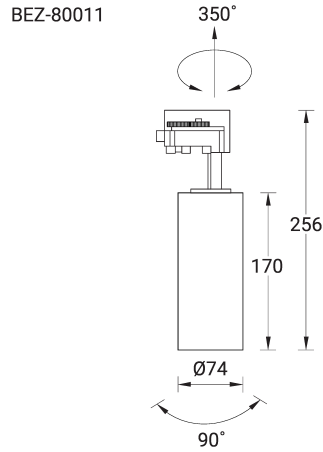
BELIZE 2 (BEZ-80011)

Technical information

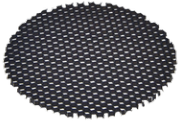
Material	Aluminium
Light source	1 COB
Power	21 W
Lumen	1549 - 1723 lm
Efficacy	74 - 82 lm/W
Driver option	Integral control gear

Driver	Constant current (CC)
Input voltage	220-240 V 50/60 Hz
Optic	N, M, W, VW
Optic value	18°, 34°, 56°, 61°
CCT / CRI	3000K CRI80, 4000K CRI80
Dimming type	On/Off, DALI

Product colours	Black, White
Weight	0.5 kg
Operating temperature	-20 °C to 50 °C
Lens / Reflector / Optic	High-efficiency optical reflector or high-efficiency polycarbonate lens



BELIZE 2 (BEZ-80011)**Accessory**



Honeycomb louvre
A80116



Surface mounted track adapter -
Black DA
A80119



Surface mounted track adapter -
White DA
A80120



Surface mounted track adapter -
Black ND
A80122



Surface mounted track adapter -
White ND
A80123
