

HAMILTON 5 (HAM-30001)



Product description

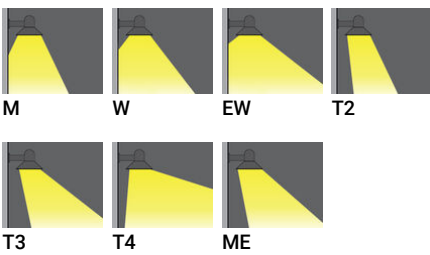
1 side



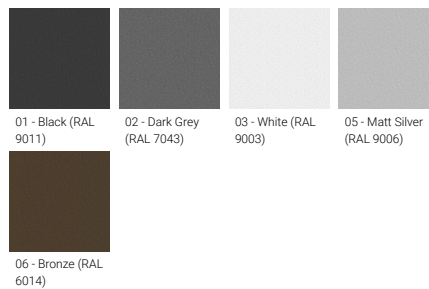
Luminaire Structure

- Die-cast aluminium housing
- Pre-treated before powder coating ensuring high corrosion resistance
- Two cable entries for through wiring
- One IP68 connector supplied with 0.2 m of 3x1.0 sqmm outdoor cable
- Stainless steel fasteners in grade 304 with zinc flake coating (ZFC)
- Durable silicone rubber gasket
- High-efficiency PMMA lens
- Clear toughened glass
- Integral control gear

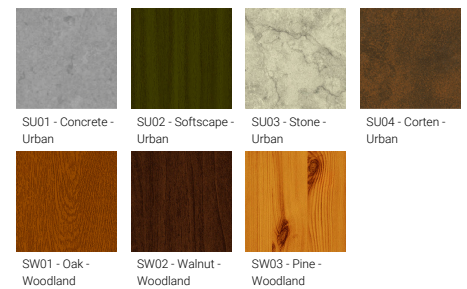
Optic



Product colour



Special finishes upon request



HAMILTON 5 (HAM-30001)

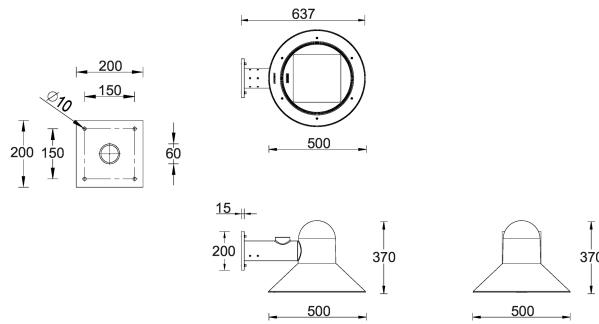
Technical information

Material	Aluminium
Light source	24 LED
Power	53 W
Lumen	6126 - 7027 lm
Efficacy	116 - 133 lm/W
Driver option	Integral control gear
Driver	Constant current (CC)
Input voltage	220-240 V 50/60 Hz
Optic	M, W, EW, T2, T3, T4, ME

Optic value	30°, 57°, 110°, 142°x42°, 150°x71°, 122°x79°, 148°x63°
CCT / CRI	3000K CRI80, 4000K CRI80
Bug	B1-U0-G1, B2-U0-G0, B2-U0-G2, B3-U0-G0, B3-U0-G1
ULR	<1%
ULOR	<1%
CIE flux code n°3	97, 98, 99
Dimming type	On/Off, 1-10V, DALI
Product colours	Black, Dark Grey, White, Matt Silver, Bronze, Concrete - Urban, Softscape - Urban, Stone - Urban, Corten - Urban, Oak - Woodland, Walnut - Woodland, Pine - Woodland
Weight	13.9 kg

Operating temperature	-20 °C to 50 °C
Cable	One IP68 connector supplied with 0.2 m of 3x1.0 sqmm outdoor cable
Through wiring	Two cable entries for through wiring
Lens / Reflector / Optic	High-efficiency PMMA lens, Clear toughened glass
MacAdam Ellipse	3 SDCM
Lifetime L90B10 (hours)	> 90,000
Lifetime L80B10 (hours)	> 90,000
Lifetime L80B50 (hours)	> 90,000
Variants (On/Off, 1-10V, DALI)	Compatible with EN/ IEC 60598-2-22: Suitable for emergency installations as central supply, non-maintained (Z0)

HAM-30001



HAMILTON 5 (HAM-30001)

Accessory



DALI Control System
Control-DALI
