

LADOR 29 (LD-50171)



Product description

Bracket mounted - Integral control gear - 82x82 mm - Class I



microPrim™

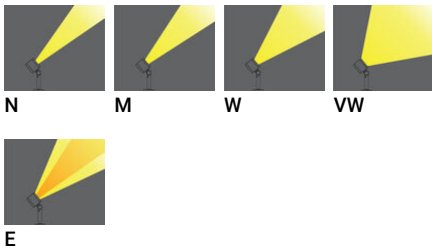
Luminaire Structure

- Die-cast aluminium housing
- Pre-treated before powder coating ensuring high corrosion resistance
- Thermal heat dissipation body
- Adjustable: Tilt 80° (Up) & 40° (Down), Rotation 350°

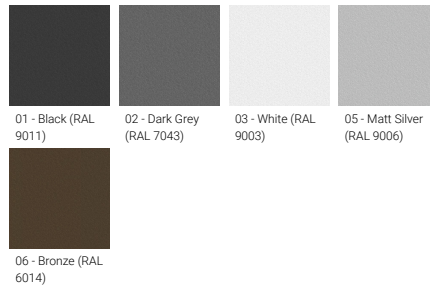
- Single cable entry
- Stainless steel fasteners in grade 304 with zinc flake coating (ZFC)
- Durable silicone rubber gasket
- High-efficiency PMMA lens

- Clear toughened glass
- Integral control gear

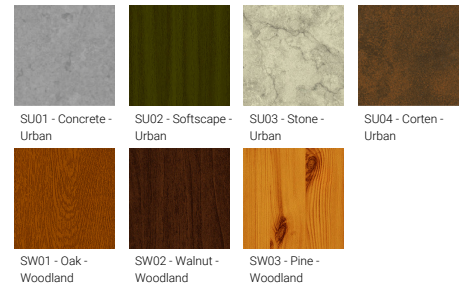
Optic



Product colour



Special finishes upon request



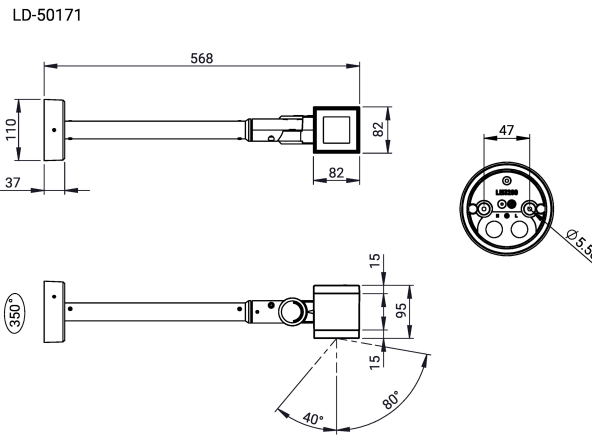
LADOR 29 (LD-50171)

Technical information

Material	Aluminium
Light source	4 LED
Power	10 W
Lumen	906 - 1112 lm
Efficacy	91 - 111 lm/W
Driver option	Integral control gear
Driver	Constant current (CC)
Input voltage	220-240 V 50/60 Hz
Optic	N, M, W, VW, E

Optic value	10°, 16°, 34°, 68°, 43°x11°
CCT / CRI	3000K CRI80, 4000K CRI80
Bug	B1-U0-G0, B2-U0-G0
ULR	<1%
ULOR	<1%
CIE flux code n°3	100
Dimming type	On/Off
Product colours	Black, Dark Grey, White, Matt Silver, Bronze, Concrete - Urban, Softscape - Urban, Stone - Urban, Corten - Urban, Oak - Woodland, Walnut - Woodland, Pine - Woodland
Weight	2.0 kg

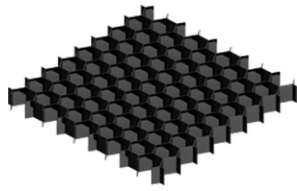
Operating temperature	-20 °C to 40 °C
EPA (m2)	0.054
Through wiring	Single cable entry
Lens / Reflector / Optic	High-efficiency PMMA lens, Clear toughened glass
MacAdam Ellipse	3 SDCM
Lifetime L90B10 (hours)	> 120,000
Lifetime L80B10 (hours)	> 120,000
Lifetime L80B50 (hours)	> 120,000
Variants (On/Off)	Compatible with EN/ IEC 60598-2-22: Suitable for emergency installations as central supply, non-maintained (Z0)



LADOR 29 (LD-50171)**Accessory**



Ground spike
A51041



Honeycomb louvre
A51921



Linear spread lens
A51214



Anti-glare visor
A52931

Please contact the factory for technical details if you wish to use Anti-glare accessories, Colour filters, Lenses and slip glasses in combination.