

**MACARON 1** (MC-20002-SO-40) (Version 1)



**Product description**

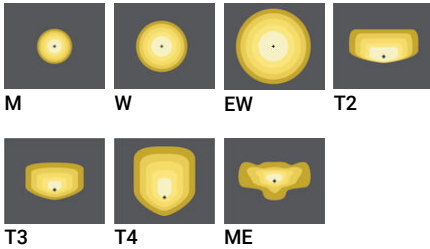
Made to order for 40 W Vertical solar PV pole



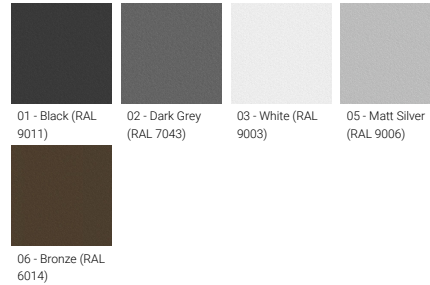
**Luminaire Structure**

- Clear toughened glass
- High-efficiency PMMA lens
- Integral control gear

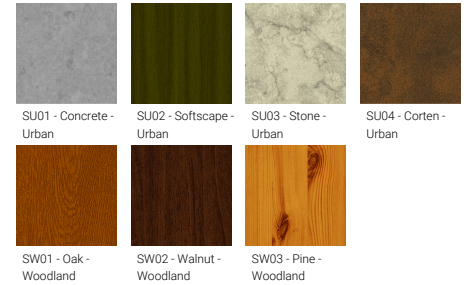
**Optic**



**Product colour**



**Special finishes upon request**



**MACARON 1 (MC-20002-SO-40) (Version 1)**

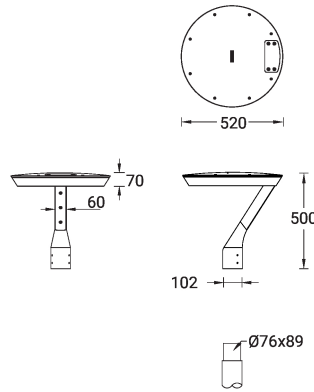
**Technical information**

<b>Material</b>	Aluminium
<b>Light source</b>	2 x 12 LED
<b>Power</b>	40 W
<b>Lumen</b>	4947 - 5720 lm
<b>Efficacy</b>	124 - 143 lm/W
<b>Driver option</b>	Integral control gear
<b>Driver</b>	Constant current (CC)
<b>Input voltage</b>	Solar 36 VDC

<b>Optic</b>	M, W, EW, T2, T3, T4, ME
<b>Optic value</b>	30°, 51°x56°, 105°x113°, 139°x32°, 139°x62°, 131°x54°, 143°x42°
<b>CCT / CRI</b>	3000K CRI80, 4000K CRI80
<b>Bug</b>	B1-U0-G1, B2-U0-G1, B3-U0-G1
<b>ULR</b>	<1%
<b>ULOR</b>	<1%
<b>CIE flux code n°3</b>	97, 98, 99
<b>Dimming type</b>	Dusk to Dawn, 2 Step dimming with motion sensor override, Solar Custom

<b>Product colours</b>	Black, Dark Grey, White, Matt Silver, Bronze, Concrete - Urban, Softscape - Urban, Stone - Urban, Corten - Urban, Oak - Woodland, Walnut - Woodland, Pine - Woodland
<b>Weight</b>	13.5 kg
<b>Operating temperature</b>	-20 °C to 40 °C
<b>Lens / Reflector / Optic</b>	Clear toughened glass, High- efficiency PMMA lens
<b>MacAdam Ellipse</b>	3 SDCM
<b>Lifetime L90B10 (hours)</b>	> 120,000
<b>Lifetime L80B10 (hours)</b>	> 120,000
<b>Lifetime L80B50 (hours)</b>	> 120,000

MC-20002



**MACARON 1** (MC-20002-SO-40) (Version 1)**Accessory**

---



---

Remote solar charge controller  
for Solar Integrated Bollards and  
Vertical Solar PV poles  
**A92691**

---



---

Vertical solar PV pole 1  
**SOL-20001**

---



---

Vertical solar PV pole 2  
**SOL-20011**

---



---

Vertical solar PV pole 6  
**SOL-20051**

---



---

IoT Module  
**A95591**

---



---

Auto dimming feature  
**auto-dim**

---