

VANCOUVER 7 (VA-20041-LC)



Product description

240x240 mm - 4070 mm - Decorative pattern type 3
(Optic) - 1 projector (Optic 2nd) - LIGHTCONNECT™

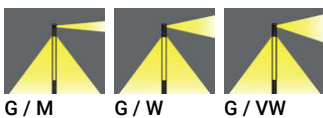


LIGHT CONNECT™ microPrim™

Luminaire Structure

- Die-cast aluminium housing
- Extruded aluminium column
- Pre-treated before powder coating ensuring high corrosion resistance
- Single cable entry
- One IP68 connector supplied with 0.3 m of 3x1.0 sqmm outdoor cable
- Stainless steel fasteners in grade 304 with zinc flake coating (ZFC)
- Durable silicone rubber gasket
- High-efficiency optical reflector
- Clear toughened glass
- Integral control gear
- Maximum wind load resistance is 160 km/h
- Surge protection 10kV
- VANCOUVER luminaires with projectors on top and colder than 3000K CCT do not meet the IDA certification requirements

Optic



Product colour



Special finishes upon request



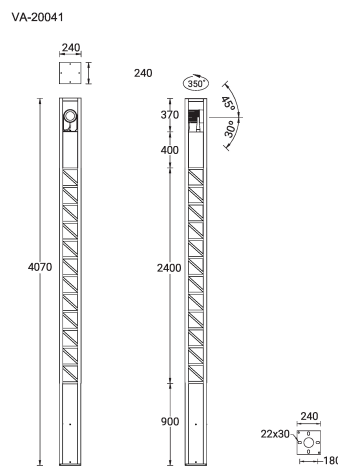
VANCOUVER 7 (VA-20041-LC)

Technical information

Material	Aluminium
Light source	1 COB & 1 COB (Projector)
Power	61 W
Lumen	3213 - 3358 lm
Efficacy	53 - 55 lm/W
Driver option	Integral control gear
Driver	Constant current (CC)
Input voltage	220-240 V 50/60 Hz
Optic	G
Optic value	56°

Optic (2nd)	M, W, VW
Optic (2nd) value	23°, 32°, 43°
CCT / CRI	3000K CRI80, 4000K CRI80
Bug	B1-U2-G0, B2-U0-G0
ULR	1%
ULOR	1%
CIE flux code n°3	99
Dimming type	DALI
Product colours	Black, Dark Grey, White, Matt Silver, Bronze, Concrete - Urban, Softscape - Urban, Stone - Urban, Corten - Urban, Oak - Woodland, Walnut - Woodland, Pine - Woodland
Weight	52.4 kg

Operating temperature	-20 °C to 40 °C
EPA (m2)	0.977
Cable	One IP68 connector supplied with 0.3 m of 3x1.0 sqmm outdoor cable
Through wiring	Single cable entry
Lens / Reflector / Optic	High-efficiency optical reflector, Clear toughened glass
MacAdam Ellipse	3 SDCM
Lifetime L90B10 (hours)	> 50,700
Lifetime L80B10 (hours)	> 63,500
Lifetime L80B50 (hours)	> 63,500
Variants (DALI)	Compatible with EN/ IEC 60598-2-22: Suitable for emergency installations as central supply, non-maintained (Z0)



VANCOUVER 7 (VA-20041-LC)

Accessory



Circuit breaker box IP44
A21291



Root mount kit
A21391



Zhaga Book 18 socket (Up)
A90991-U



NEMA 7 socket
A90891



DALI Control System
Control-DALI



Smart Pole Accessories
Accs-Smart-Pole