

VANCOUVER 14 (VA-70001)



Product description

160x160 mm - 400 mm



microPrim™

Luminaire Structure

- Die-cast aluminium housing
- Extruded aluminium column
- Pre-treated before powder coating ensuring high corrosion resistance
- Single cable entry
- One IP68 connector supplied with 0.2 m of 3x1.0 sqmm outdoor cable
- Stainless steel fasteners in grade 304 with zinc flake coating (ZFC)
- Durable silicone rubber gasket
- High-efficiency optical reflector
- Clear toughened glass
- Integral control gear

Optic



G

Product colour



Special finishes upon request



VANCOUVER 14 (VA-70001)

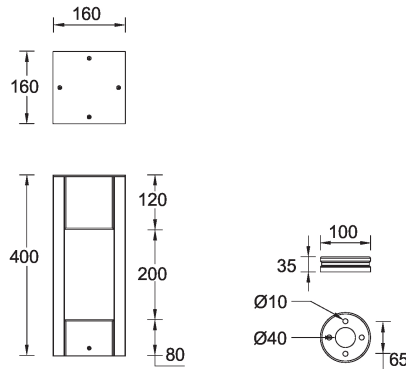
Technical information

Material	Aluminium
Light source	1 COB
Power	8 W
Lumen	327 - 331 lm
Efficacy	41 lm/W
Driver option	Integral control gear
Driver	Constant current (CC)
Input voltage	220-240 V 50/60 Hz
Optic	G

Optic value	107°
CCT / CRI	3000K CRI80, 4000K CRI80
Bug	B0-U2-G0
ULR	4%
ULOR	4%
CIE flux code n°3	100
Dimming type	On/Off
Product colours	Black, Dark Grey, White, Matt Silver, Bronze, Concrete - Urban, Softscape - Urban, Stone - Urban, Corten - Urban, Oak - Woodland, Walnut - Woodland, Pine - Woodland
Weight	5.6 kg

Operating temperature	-20 °C to 40 °C
Cable	One IP68 connector supplied with 0.2 m of 3x1.0 sqmm outdoor cable
Through wiring	Single cable entry
Lens / Reflector / Optic	High-efficiency optical reflector, Clear toughened glass
MacAdam Ellipse	3 SDCM
Lifetime L90B10 (hours)	> 61,000
Variants (On/Off)	Compatible with EN/ IEC 60598-2-22: Suitable for emergency installations as central supply, non-maintained (Z0)

VA-70001



VANCOUVER 14 (VA-70001)

Accessory



Anchor bolt
A12191
