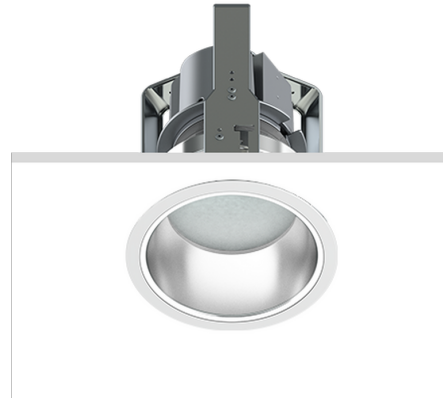
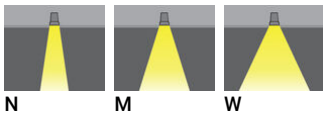
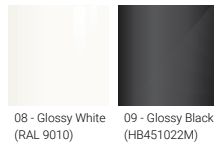


AMOS 3 (AM-80041)**Product description**

Ø160 mm

**Luminaire Structure**

- Die-cast aluminium housing with powder coating
- Die-cast aluminium heat sink with excellent thermal management
- Aluminium reflector with white powder coating
- Remote driver (included)

Optic**N** **M** **W****Product colour**

08 - Glossy White (RAL 9010) 09 - Glossy Black (HB451022M)

AMOS 3 (AM-80041)

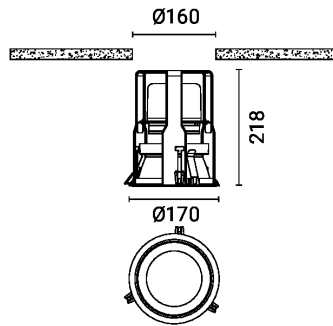
Technical information

Material	Aluminium
Light source	18 LED
Power	29 W
Lumen	2336 - 3009 lm
Efficacy	81 - 104 lm/W
Driver option	Remote driver (included)
Driver	Constant current (CC)

Input voltage	220-240 V 50/60 Hz
Optic	N, M, W
Optic value	26°, 32°, 41°
CCT / CRI	3000K CRI80, 4000K CRI80
Bug	B2-U0-G0, B3-U0-G0
ULR	<1%
ULOR	<1%

CIE flux code n°3	100, 99
Dimming type	On/Off, 1-10V, DALI
Product colours	Glossy White, Glossy Black
Weight	1.6 kg
Operating temperature	-20 °C to 40 °C
Lens / Reflector / Optic	Aluminium reflector with white powder coating Compatible with EN/ IEC 60598-2-22: Suitable for emergency installations as central supply, non-maintained (Z0)
Variants (1-10V)	

AM-80041



AMOS 3 (AM-80041)

Accessory



DALI Control System
Control-DALI
