

**FORREY 12 (FOR-20052)**



**Product description**

Top Ø880 mm - With shade & louver & opal diffuser



microPrim™

**Luminaire Structure**

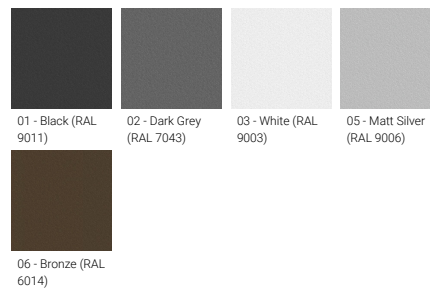
- Die-cast aluminium housing
- Pre-treated before powder coating ensuring high corrosion resistance
- Extruded aluminium column
- Models with shade will have colour white coating at inside of shade luminaire and outside surface coating according to colour of luminaire
- Single cable entry
- One IP68 connector supplied with 0.2 m of 3x1.0 sqmm outdoor cable
- Stainless steel fasteners in grade 304 with zinc flake coating (ZFC)
- Durable silicone rubber gasket
- Opal UV-stabilised polycarbonate diffuser
- Integral control gear
- FORREY luminaires with opal lens and colder than 3000K CCT do not meet the IDA certification requirements

**Optic**

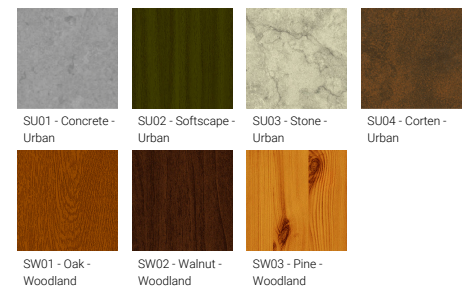


G

**Product colour**



**Special finishes upon request**

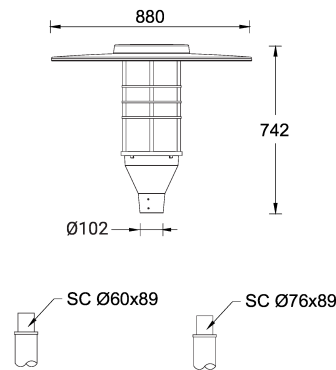


**FORREY 12 (FOR-20052)**

**Technical information**

<b>Material</b>	Aluminium	<b>Optic</b>	G	<b>Cable</b>	One IP68 connector supplied with 0.2 m of 3x1.0 sqmm outdoor cable
<b>Light source</b>	180 LED	<b>Optic value</b>	360°	<b>Through wiring</b>	Single cable entry
<b>Power</b>	60 W	<b>CCT / CRI</b>	3000K CRI80, 4000K CRI80	<b>Lens / Reflector / Optic</b>	Opal UV-stabilised polycarbonate diffuser
<b>Lumen</b>	3469 - 4053 lm	<b>Dimming type</b>	On/Off, 1-10V, DALI	<b>MacAdam Ellipse</b>	3 SDCM
<b>Efficacy</b>	58 - 68 lm/W	<b>Product colours</b>	Black, Dark Grey, White, Matt Silver, Bronze, Concrete - Urban, Softscape - Urban, Stone - Urban, Corten - Urban, Oak - Woodland, Walnut - Woodland, Pine - Woodland	<b>Lifetime L90B10 (hours)</b>	> 23,000
<b>Driver option</b>	Integral control gear			<b>Lifetime L80B10 (hours)</b>	> 45,000
<b>Driver</b>	Constant current (CC)			<b>Lifetime L80B50 (hours)</b>	> 49,000
<b>Input voltage</b>	220-240 V 50/60 Hz			<b>Variants (On/Off, 1-10V, DALI)</b>	Compatible with EN/ IEC 60598-2-22: Suitable for emergency installations as central supply, non-maintained (Z0)
		<b>Weight</b>	19.9 kg		
		<b>Operating temperature</b>	-20 °C to 50 °C		
		<b>EPA (m2)</b>	0.107		

FOR-20052



**FORREY 12** (FOR-20052)

**Accessory**

---



DALI Control System  
**Control-DALI**

---