

**KWH 9** (KWH-50022)



**Product description**

Medium - 1 head - RGBW

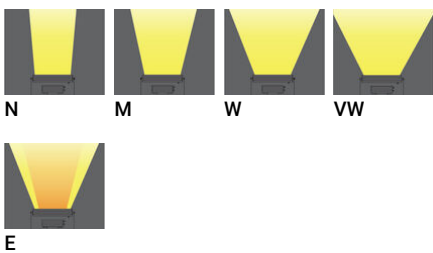


microVos microPrim™

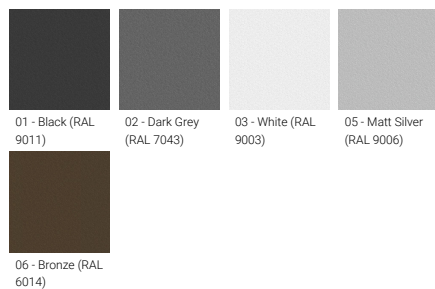
**Luminaire Structure**

- Die-cast aluminium end-caps
- Extruded aluminium housing
- Pre-treated before powder coating ensuring high corrosion resistance
- Thermal heat dissipation body
- Single or double head configuration for all three sizes
- Each of the heads can be aimed, adjusted and locked for precise aiming
- Single cable entry, through wiring upon request
- Three IP68 connectors supplied with 0.2 m of 3x1.0 sqmm outdoor cable and 2x0.2 m of 2x0.5 sqmm outdoor shielded cable
- Stainless steel fasteners in grade 304 with zinc flake coating (ZFC)
- Durable silicone rubber gasket
- Clear toughened glass
- High-efficiency PMMA lens
- Integral control gear
- Hot-dipped galvanised steel mounting bracket allows for ceiling, wall or surface mounting

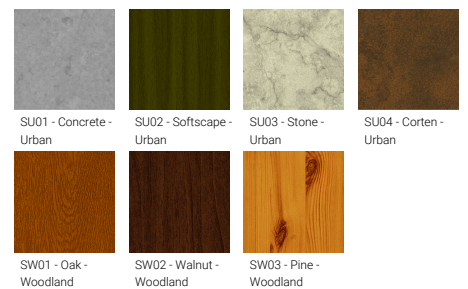
**Optic**



**Product colour**



**Special finishes upon request**



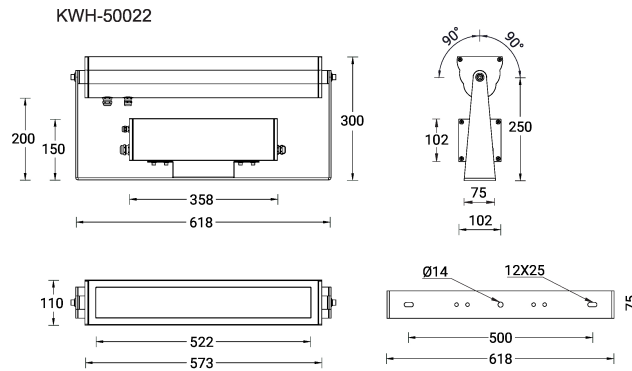
**KWH 9 (KWH-50022)**

**Technical information**

|                      |                       |
|----------------------|-----------------------|
| <b>Material</b>      | Aluminium             |
| <b>Light source</b>  | 60 LED                |
| <b>Power</b>         | 55 W                  |
| <b>Lumen</b>         | 3300 - 4226 lm        |
| <b>Efficacy</b>      | 60 - 77 lm/W          |
| <b>Driver option</b> | Integral control gear |
| <b>Driver</b>        | Constant current (CC) |
| <b>Input voltage</b> | 220-240 V 50/60 Hz    |

|                          |                                |
|--------------------------|--------------------------------|
| <b>Optic</b>             | N, M, W, VW, E                 |
| <b>Optic value</b>       | 9°, 16°, 33°, 64°x72°, 10°x43° |
| <b>CCT / CRI</b>         | RGBW30, RGBW40                 |
| <b>Bug</b>               | B3-U0-G0                       |
| <b>ULR</b>               | <1%                            |
| <b>ULOR</b>              | <1%                            |
| <b>CIE flux code n°3</b> | 100                            |
| <b>Dimming type</b>      | DMX, DMX/RDM                   |

|                                 |  |
|---------------------------------|--|
| <b>Product colours</b>          | Black, Dark Grey, White, Matt Silver, Bronze, Concrete - Urban, Softscape - Urban, Stone - Urban, Corten - Urban, Oak - Woodland, Walnut - Woodland, Pine - Woodland |
| <b>Weight</b>                   | 9.2 kg   |
| <b>Operating temperature</b>    | -20 °C to 40 °C  |
| <b>EPA (m2)</b>                 | 0.110  |
| <b>Cable</b>                    | Three IP68 connectors supplied with 0.2 m of 3x1.0 sqmm outdoor cable and 2x0.2 m of 2x0.5 sqmm outdoor shielded cable   |
| <b>Through wiring</b>           | Single cable entry, through wiring upon request  |
| <b>Lens / Reflector / Optic</b> | Clear toughened glass, High-efficiency PMMA lens   |



**Accessory**

---



DMX Control System  
**Control-DMX**

---



DMX/RDM Control System  
**Control-DMX-RDM**

---