

**TANGO 32 (TA-31893)**



**Product description**

186x186 mm - 290 mm - Down (Optic) & Up (Optic 2nd) - Square

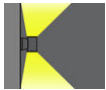


microPrim™

**Luminaire Structure**

- Die-cast aluminium housing and frame
- Pre-treated before powder coating ensuring high corrosion resistance
- Single cable entry
- Stainless steel fasteners in grade 304 with zinc flake coating (ZFC)
- Durable silicone rubber gasket
- Clear toughened glass
- High-efficiency optical reflector
- Integral control gear
- Optional surface mounting box for easy wiring or conduit connection when wiring from behind is not possible
- TANGO luminaires with uplight and colder than 3000K CCT do not meet the IDA certification requirements

**Optic**



AS / AS

**Product colour**



**Special finishes upon request**



**TANGO 32 (TA-31893)**

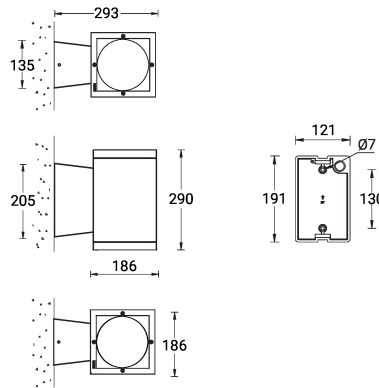
**Technical information**

<b>Material</b>	Aluminium
<b>Light source</b>	1&1 COB
<b>Power</b>	55 W
<b>Lumen</b>	5022 - 5286 lm
<b>Efficacy</b>	91 - 96 lm/W
<b>Driver option</b>	Integral control gear
<b>Driver</b>	Constant current (CC)
<b>Input voltage</b>	220-240 V 50/60 Hz

<b>Optic</b>	AS
<b>Optic value</b>	46°x56°
<b>Optic (2nd)</b>	AS
<b>Optic (2nd) value</b>	46°x56°
<b>CCT / CRI</b>	3000K CRI80, 4000K CRI80
<b>Bug</b>	B1-U5-G0
<b>ULR</b>	50%
<b>ULOR</b>	50%

<b>Dimming type</b>	On/Off, 1-10V, DALI
<b>Product colours</b>	Black, Dark Grey, White, Matt Silver, Bronze, Concrete - Urban, Softscape - Urban, Stone - Urban, Corten - Urban, Oak - Woodland, Walnut - Woodland, Pine - Woodland
<b>Weight</b>	8.4 kg
<b>Operating temperature</b>	-20 °C to 40 °C
<b>Through wiring</b>	Single cable entry
<b>Lens / Reflector / Optic</b>	Clear toughened glass, High-efficiency optical reflector
<b>Variants (1-10V, DALI)</b>	Compatible with EN/ IEC 60598-2-22: Suitable for emergency installations as central supply, non-maintained (Z0)

TA-31893



**TANGO 32** (TA-31893)**Accessory**

---



---

Surface mounting box for easy  
cabling (TANGO 32)  
**SCE-TANGO-32**

---



---

DALI Control System  
**Control-DALI**

---