

NIKON 4 (NI-80531-A)



Product description

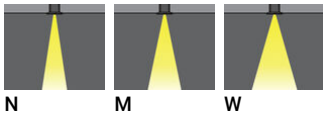
With remote box IP-rated / remote driver - Square - Aluminium frame



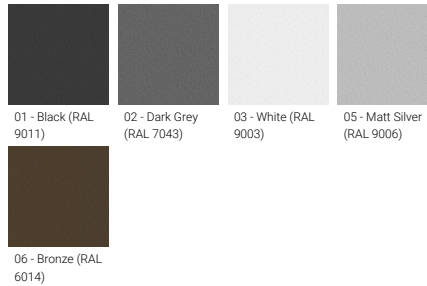
Luminaire Structure

- Die-cast aluminium housing
- Pre-treated before powder coating ensuring high corrosion resistance
- 6 mm thick front ring in stainless steel or aluminium
- Single cable entry
- Stainless steel fasteners in grade 304 with zinc flake coating (ZFC)
- Durable silicone rubber gasket
- Clear toughened glass
- Remote driver (included)

Optic



Product colour



NIKON 4 (NI-80531-A)

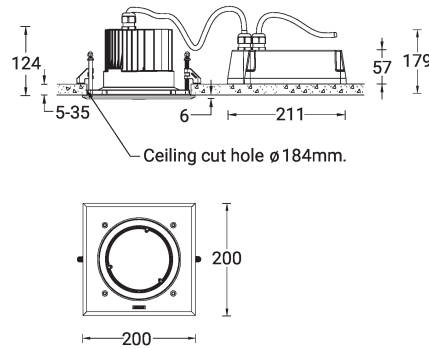
Technical information

Material	Aluminium
Light source	18 LED
Power	29 W
Lumen	2689 - 3144 lm
Efficacy	93 - 108 lm/W
Driver option	Remote driver (included)
Driver	Constant current (CC)
Input voltage	220-240 V 50/60 Hz

Optic	N, M, W
Optic value	15°, 27°, 44°
CCT / CRI	3000K CRI80, 4000K CRI80
Dimming type	On/Off, 1-10V, DALI
Product colours	Black, Dark Grey, White, Matt Silver, Bronze
Weight	2.5 kg
Operating temperature	-20 °C to 50 °C
Through wiring	Single cable entry

Lens / Reflector / Optic	Clear toughened glass
MacAdam Ellipse	3 SDCM
Lifetime L90B10 (hours)	> 120,000
Lifetime L80B10 (hours)	> 120,000
Lifetime L80B50 (hours)	> 120,000
Variants (1-10V)	Compatible with EN/ IEC 60598-2-22: Suitable for emergency installations as central supply, non-maintained (Z0)

NI-80531-A



NIKON 4 (NI-80531-A)

Accessory



Concrete box modification upon request
CONCRETE-BOX



DALI Control System
Control-DALI
