

VEKTER 10 (VK-30042) (Version 2)



Product description

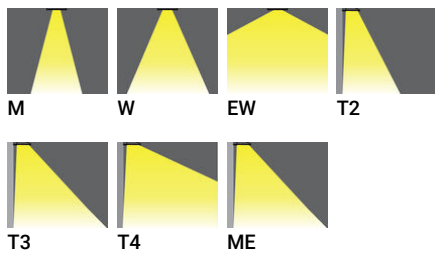
Mounting box - Large



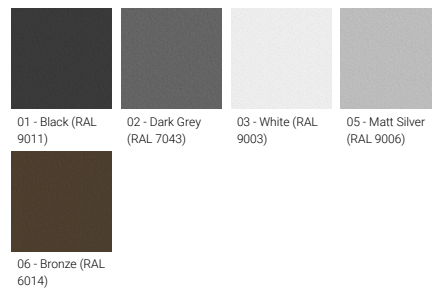
Luminaire Structure

- Die-cast aluminium housing and frame
- Pre-treated before powder coating ensuring high corrosion resistance
- Two cable entries for through wiring
- Stainless steel fasteners in grade 304 with zinc flake coating (ZFC)
- Durable silicone rubber gasket
- Clear toughened glass
- High-efficiency PMMA lens
- Integral control gear
- Optional surface mounting box for easy wiring or conduit connection when wiring from behind is not possible

Optic



Product colour



Special finishes upon request



VEKTER 10 (VK-30042) (Version 2)

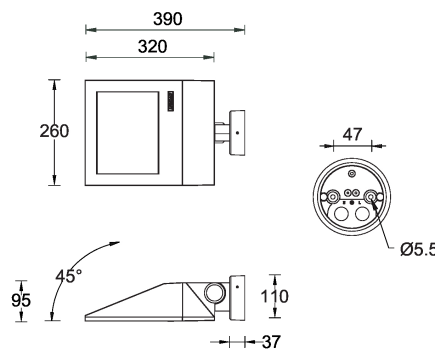
Technical information

Material	Aluminium
Light source	24 LED
Power	54 W
Lumen	6002 - 7048 lm
Efficacy	113 - 138 lm/W
Driver option	Integral control gear
Driver	Constant current (CC)
Input voltage	220-240 V 50/60 Hz
Optic	M, W, EW, T2, T3, T4, ME

Optic value	32°, 52°, 108°, 140°x51°, 140°x72°, 97°x82°, 62°x139°
CCT / CRI	2700K CRI80, 3000K, 3000K CRI80, 4000K, 4000K CRI80
Bug	B1-U0-G0, B1-U0-G1, B1-U1-G1, B2-U0-G0, B2-U1-G2, B3-U0-G0, B3-U0-G1
ULR	<1%
ULOR	<1%
CIE flux code n°3	97, 98, 99
Dimming type	On/Off, DALI
Product colours	Black, Dark Grey, White, Matt Silver, Bronze, Concrete - Urban, Softscape - Urban, Stone - Urban, Corten - Urban, Oak - Woodland, Walnut - Woodland, Pine - Woodland
Weight	6.6 kg

Operating temperature	-20 °C to 40 °C
Through wiring	Two cable entries for through wiring
Lens / Reflector / Optic	Clear toughened glass, High-efficiency PMMA lens
MacAdam Ellipse	3 SDCM
Lifetime L90B10 (hours)	> 90,000
Lifetime L80B10 (hours)	> 90,000
Lifetime L80B50 (hours)	> 90,000
Variants (On/Off, DALI)	Compatible with EN/ IEC 60598-2-22: Suitable for emergency installations as central supply, non-maintained (Z0)

VK-30042



VEKTER 10 (VK-30042) (Version 2)**Accessory**



Surface mounting box for easy
cabling (VEKTER 10)
SCE-VEKTER-10
