

**ZEAT 1 (ZE-50020)**



**Product description**

Without remote box IP-rated - With remote driver - Constant current (CC) 700 mA - Class III



microPrim™

**Luminaire Structure**

- Die-cast aluminium housing and frame
- Pre-treated before powder coating ensuring high corrosion resistance
- Single cable entry
- Stainless steel fasteners in grade 304 with zinc flake coating (ZFC)
- Durable silicone rubber gasket
- High-efficiency PMMA lens
- Clear toughened glass
- Remote driver (included)
- Remote box IP-rated is not included and is to be ordered separately for constant current (CC) products

**Optic**

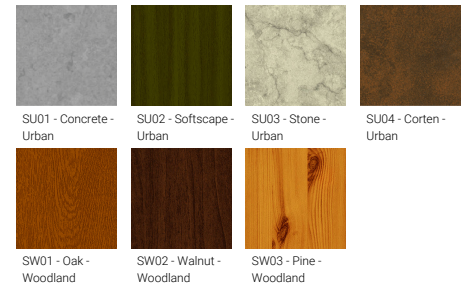


VN

**Product colour**



**Special finishes upon request**



**ZEAT 1 (ZE-50020)**

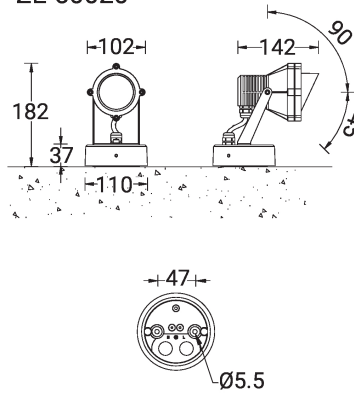
**Technical information**

<b>Material</b>	Aluminium
<b>Light source</b>	1 LED
<b>Power</b>	11 W
<b>Lumen</b>	644 - 758 lm
<b>Efficacy</b>	59 - 69 lm/W
<b>Driver option</b>	Remote driver (included)
<b>Driver</b>	Constant current (CC)
<b>Input voltage</b>	700 mA, 12 VDC
<b>Optic</b>	VN

<b>Optic value</b>	8°
<b>CCT / CRI</b>	3000K CRI80, 4000K CRI80
<b>ULR</b>	<1%
<b>ULOR</b>	<1%
<b>CIE flux code n°3</b>	100
<b>Dimming type</b>	On/Off, 1-10V, DALI
<b>Product colours</b>	Black, Dark Grey, White, Matt Silver, Bronze, Concrete - Urban, Softscape - Urban, Stone - Urban, Corten - Urban, Oak - Woodland, Walnut - Woodland, Pine - Woodland
<b>Weight</b>	1.0 kg
<b>Operating temperature</b>	-20 °C to 40 °C

<b>EPA (m2)</b>	0.021
<b>Through wiring</b>	Single cable entry
<b>Lens / Reflector / Optic</b>	High-efficiency PMMA lens, Clear toughened glass
<b>MacAdam Ellipse</b>	3 SDCM
<b>Lifetime L90B10 (hours)</b>	> 109,000
<b>Lifetime L80B10 (hours)</b>	> 109,000
<b>Lifetime L80B50 (hours)</b>	> 109,000
<b>Variants (On/Off, 1-10V, DALI)</b>	Compatible with EN/ IEC 60598-2-22: Suitable for emergency installations as central supply, non-maintained (Z0)

ZE-50020



**ZEAT 1 (ZE-50020)****Accessory**

---



---

Mounting belt  
**A50291**

---



---

Remote box IP65  
**A80191**

---



---

DALI Control System  
**Control-DALI**

---