

LIGHT LINEAR DENVER 2 (DE-20013)



Product description

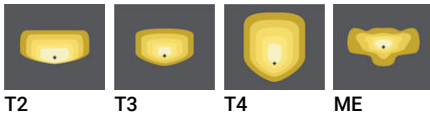
2 sides - Supplied with specific 4 m cylindrical, straight aluminium pole: APD240114-DE2



Luminaire Structure

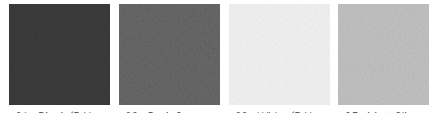
- Die-cast aluminium housing
- Extruded aluminium column
- Pre-treated before powder coating ensuring high corrosion resistance
- Single cable entry
- Stainless steel fasteners in grade 304 with zinc flake coating (ZFC)
- Durable silicone rubber gasket
- Clear toughened glass
- High-efficiency polycarbonate lens
- Integral control gear
- Maximum wind load resistance is 100 km/h
- Surge protection 10kV

Optic



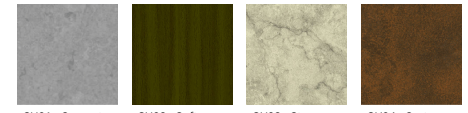
T2 T3 T4 ME

Product colour



01 - Black (RAL 9011) 02 - Dark Grey (RAL 7043) 03 - White (RAL 9003) 04 - Matt Silver (RAL 9006) 05 - Matt Silver (RAL 9006) 06 - Bronze (RAL 6014)

Special finishes upon request



SU01 - Concrete - Urban SU02 - Softscape - Urban SU03 - Stone - Urban SU04 - Corten - Urban SW01 - Oak - Woodland SW02 - Walnut - Woodland SW03 - Pine - Woodland

LIGHT LINEAR DENVER 2 (DE-20013)

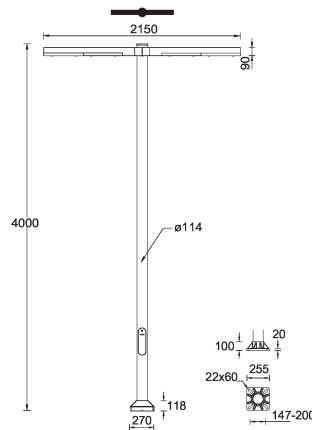
Technical information

Material	Aluminium
Light source	2 x 48 LED
Power	208 W
Lumen	24966 - 27100 lm
Efficacy	120 - 130 lm/W
Driver option	Integral control gear
Driver	Constant current (CC)
Input voltage	220-240 V 50/60 Hz
Optic	T2, T3, T4, ME

Optic value	139°x47°, 132°x68°, 98°x73°, 127°x56°
CCT / CRI	3000K CRI80, 4000K CRI80
Bug	B3-U1-G3
ULR	<1%
ULOR	<1%
CIE flux code n°3	97, 98
Dimming type	On/Off, 1-10V, DALI
Product colours	Black, Dark Grey, White, Matt Silver, Bronze, Concrete - Urban, Softscape - Urban, Stone - Urban, Corten - Urban, Oak - Woodland, Walnut - Woodland, Pine - Woodland
Weight	35.3 kg

Operating temperature	-20 °C to 50 °C
EPA (m2)	0.194
Through wiring	Single cable entry
Lens / Reflector / Optic	Clear toughened glass, High-efficiency polycarbonate lens
MacAdam Ellipse	3 SDCM
Lifetime L90B10 (hours)	> 90,000
Lifetime L80B10 (hours)	> 90,000
Lifetime L80B50 (hours)	> 90,000
Variants (On/Off, 1-10V, DALI)	Compatible with EN/ IEC 60598-2-22: Suitable for emergency installations as central supply, non-maintained (Z0)

DE-20013



LIGHT LINEAR DENVER 2 (DE-20013)**Accessory**

Circuit breaker box IP44
A21291



Motion sensor - PIR - 1-10V - Up
to 12 m
A90191-L7



Motion sensor - PIR - 1-10V - Up
to 3 m
A90191-L2



Motion sensor - PIR - 1-10V - Up
to 6 m
A90191-L3



Root mount kit
A20491



Remote controller for the motion
sensor - 1-10V (A90191)
A90791



DALI Control System
Control-DALI

Pole (required)

4 m - Cylindrical, straight
aluminium pole for LIGHT
LINEAR DENVER
APD240114-DE2