

JET 43 (JE-95082)



Product description

Ø102 - 140 mm - Round



microPrim™

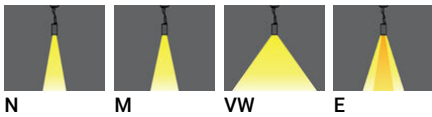
Luminaire Structure

- Die-cast aluminium housing
- Pre-treated before powder coating ensuring high corrosion resistance
- Two cable entries for through wiring
- Stainless steel fasteners in grade 304 with zinc flake coating (ZFC)

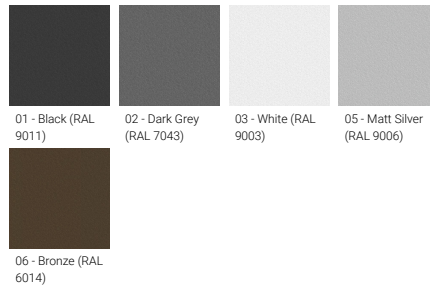
- Durable silicone rubber gasket
- High-efficiency optical reflector
- Clear toughened glass
- Integral control gear

- Stainless steel suspension kit in grade 304
- Suspension height is fully adjustable
- Optional surface mounting box for easy wiring or conduit connection when wiring from behind is not possible

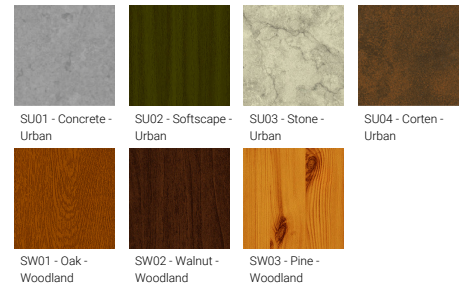
Optic



Product colour



Special finishes upon request



JET 43 (JE-95082)

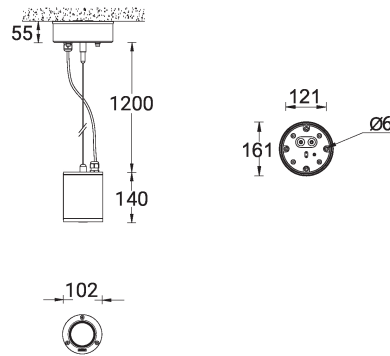
Technical information

Material	Aluminium
Light source	MR16-GU10
Power	8 W
Lumen	254 - 395 lm
Efficacy	34 - 49 lm/W
Driver option	Integral control gear
Driver	Constant current (CC)
Input voltage	220-240 V 50/60 Hz

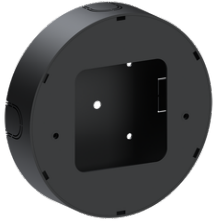
Optic	N, M, VW, E
Optic value	13°, 23°, 60°, 12°x51°
CCT / CRI	3000K CRI95, 4000K CRI90
Bug	B0-U0-G0, B1-U0-G0
ULR	<1%
ULOR	<1%
CIE flux code n°3	100, 99
Dimming type	On/Off

Product colours	Black, Dark Grey, White, Matt Silver, Bronze, Concrete - Urban, Softscape - Urban, Stone - Urban, Corten - Urban, Oak - Woodland, Walnut - Woodland, Pine - Woodland
Weight	1.5 kg
Operating temperature	-20 °C to 50 °C
EPA (m2)	0.026
Through wiring	Two cable entries for through wiring
Lens / Reflector / Optic	High-efficiency optical reflector, Clear toughened glass

JE-95082



JET 43 (JE-95082)**Accessory**



Surface mounting box for easy
cabling (JET 43)
SCE-JET-43
