

**MONDOVA 1 (MO-80001)**



**Product description**

Baffle frame

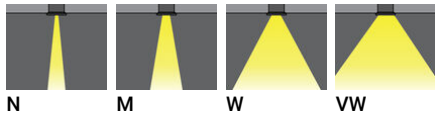


microPrim™

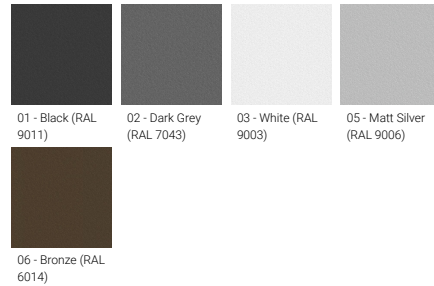
**Luminaire Structure**

- Die-cast aluminium housing
- Pre-treated before powder coating ensuring high corrosion resistance
- Two cable entries for through wiring
- Stainless steel fasteners in grade 304 with zinc flake coating (ZFC)
- Durable silicone rubber gasket
- Clear toughened glass
- High-efficiency optical reflector
- Integral control gear

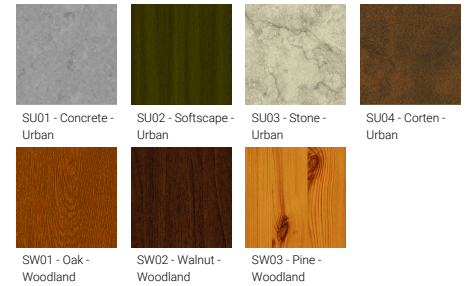
**Optic**



**Product colour**



**Special finishes upon request**



**MONDOVA 1 (MO-80001)**

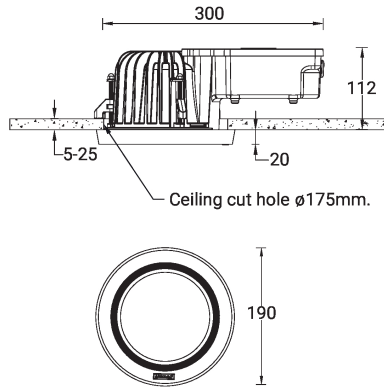
**Technical information**

<b>Material</b>	Aluminium
<b>Light source</b>	1 COB
<b>Power</b>	41 W
<b>Lumen</b>	2963 - 3625 lm
<b>Efficacy</b>	72 - 88 lm/W
<b>Driver option</b>	Integral control gear
<b>Driver</b>	Constant current (CC)
<b>Input voltage</b>	220-240 V 50/60 Hz
<b>Optic</b>	N, M, W, VW

<b>Optic value</b>	13°, 20°, 40°, 70°
<b>CCT / CRI</b>	3000K CRI80, 4000K CRI80
<b>Bug</b>	B2-U0-G0, B3-U0-G0
<b>ULR</b>	<1%
<b>ULOR</b>	<1%
<b>CIE flux code n°3</b>	100
<b>Dimming type</b>	On/Off, 1-10V, DALI
<b>Product colours</b>	Black, Dark Grey, White, Matt Silver, Bronze, Concrete - Urban, Softscape - Urban, Stone - Urban, Corten - Urban, Oak - Woodland, Walnut - Woodland, Pine - Woodland
<b>Weight</b>	2.6 kg

<b>Operating temperature</b>	-20 °C to 40 °C
<b>Through wiring</b>	Two cable entries for through wiring
<b>Lens / Reflector / Optic</b>	Clear toughened glass, High-efficiency optical reflector
<b>MacAdam Ellipse</b>	3 SDCM
<b>Lifetime L90B10 (hours)</b>	> 50,700
<b>Lifetime L80B10 (hours)</b>	> 63,500
<b>Lifetime L80B50 (hours)</b>	> 63,500
<b>Variants (1-10V, DALI)</b>	Compatible with EN/ IEC 60598-2-22: Suitable for emergency installations as central supply, non-maintained (Z0)

MO-80001



**MONDOVA 1** (MO-80001)**Accessory**

---



---

Concrete box modification upon  
request  
**CONCRETE-BOX**

---



---

DALI Control System  
**Control-DALI**

---