

ODESSA 13 (OD-50152)



Product description

Large - IP66

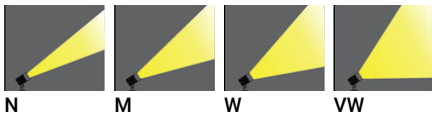


microPrim™

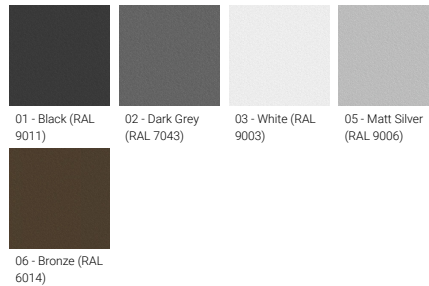
Luminaire Structure

- Die-cast aluminium housing
- Pre-treated before powder coating ensuring high corrosion resistance
- Adjustable: Tilt 80° (Up) & 40° (Down), Rotation 350°
- Single cable entry
- Stainless steel fasteners in grade 304 with zinc flake coating (ZFC)
- Durable silicone rubber gasket
- High-efficiency optical reflector
- Clear toughened glass
- Integral control gear

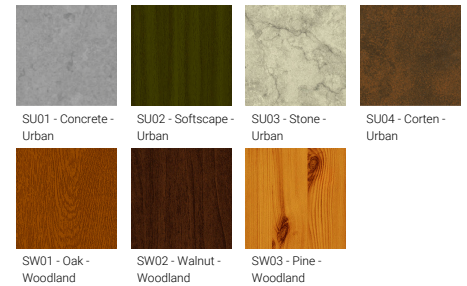
Optic



Product colour



Special finishes upon request



ODESSA 13 (OD-50152)

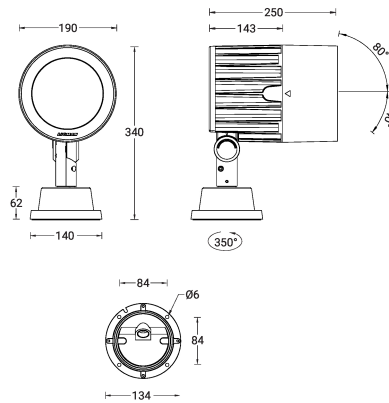
Technical information

Material	Aluminium
Light source	1 COB
Power	54 W
Lumen	5969 - 6983 lm
Efficacy	113 - 132 lm/W
Driver option	Integral control gear
Driver	Constant current (CC)
Input voltage	220-240 V 50/60 Hz
Optic	N, M, W, VW

Optic value	20°, 32°, 43°, 69°
CCT / CRI	2700K CRI80, 3000K CRI80, 4000K CRI80
Bug	B3-U0-G0, B4-U0-G0
ULR	<1%
ULOR	<1%
CIE flux code n°3	100, 99
Dimming type	On/Off, 1-10V, DALI
Product colours	Black, Dark Grey, White, Matt Silver, Bronze, Concrete - Urban, Softscape - Urban, Stone - Urban, Corten - Urban, Oak - Woodland, Walnut - Woodland, Pine - Woodland
Weight	6.5 kg

Operating temperature	-20 °C to 40 °C
EPA (m2)	0.057
Through wiring	Single cable entry
Lens / Reflector / Optic	High-efficiency optical reflector, Clear toughened glass
MacAdam Ellipse	3 SDCM
Lifetime L90B10 (hours)	> 61,000
Variants (On/Off, 1-10V, DALI)	Compatible with EN/ IEC 60598-2-22: Suitable for emergency installations as central supply, non-maintained (Z0)

OD-50152



ODESSA 13 (OD-50152)**Accessory**



Anti glare visor
A54331



Anti glare louvre
A54531



Linear spread lens
A51814



Honeycomb louvre
A54121



DALI Control System
Control-DALI

Please contact the factory for technical details if you wish to use Anti-glare accessories, Colour filters, Lenses and slip glasses in combination.