

OULU 7 (OUL-80901)



Product description

Down (Optic) & Up (Optic 2nd) - 45° - R1000 - White light

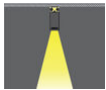


microPrim™

Luminaire Structure

- Die-cast aluminium end-caps and extruded aluminium profile with powder coating
- Multiple angles available
- Passive thermal management
- Stainless steel fasteners in grade 304 with zinc flake coating (ZFC)
- Opal PMMA diffuser (UGR <19) for glare control
- Integral control gear for On/Off (-ND), DALI (-DA). Remote driver is included for 1-10V (-DI)
- Steel brackets for ceiling down mounting option
- Up and down light distribution options
- Wireless control available through Bluetooth connection

Optic



0 / 0

Product colour



01 - Black (RAL 9011) 03 - White (RAL 9003) 05 - Matt Silver (RAL 9006)

Special finishes upon request



SU01 - Concrete - Urban SU02 - Softscape - Urban SU03 - Stone - Urban SU04 - Corten - Urban



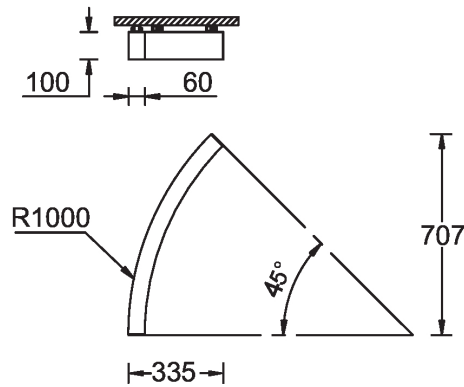
SW01 - Oak - Woodland SW02 - Walnut - Woodland SW03 - Pine - Woodland

OULU 7 (OUL-80901)

Technical information

Material	Aluminium	Driver	Constant current (CC)	CCT / CRI	3000K CRI80, 4000K CRI80
Light source	96 & 96 LED	Input voltage	220-240 V 50/60 Hz	Dimming type	On/Off, 1-10V, DALI
Power	25 W	Optic	O	Product colours	Black, White, Matt Silver, Concrete - Urban, Softscape - Urban, Stone - Urban, Corten - Urban, Oak - Woodland, Walnut - Woodland, Pine - Woodland
Lumen	2513 - 2617 lm	Optic value	Opal		
Efficacy	101 - 105 lm/W	Optic (2nd)	O		
Driver option	Integral control gear for On/Off (-ND), DALI (-DA). Remote driver is included for 1-10V (-DI)	Optic (2nd) value	Opal	Weight	2.9 kg
				Operating temperature	-20 °C to 40 °C
				Variants (On/Off, 1-10V, DALI)	Compatible with EN/ IEC 60598-2-22: Suitable for emergency installations as central supply, non-maintained (Z0)

OUL-80901



OULU 7 (OUL-80901)**Accessory**

Continuous-coupler bracket
A81781



Wireless bluetooth converter
A90291



Xpress wireless switch
A90591



DALI Control System
Control-DALI