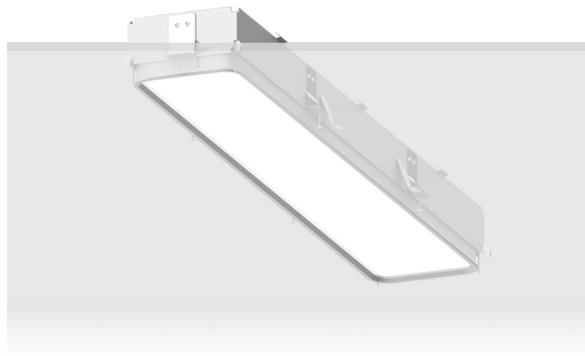


PITTSFIELD 1 (PIT-80015)



Product description

Down - 1070 mm - RGBW DMX

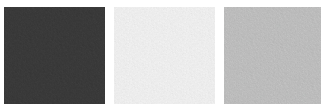


microPrim™

Luminaire Structure

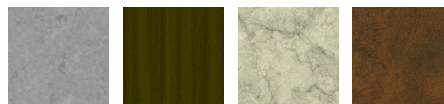
- Extruded aluminium bended profile with powder coating
- Passive thermal management
- Stainless steel fasteners in grade 304 with zinc flake coating (ZFC)
- PMMA diffuser with Opal (UGR <19) and micro prismatic (UGR <13) options for better glare control
- Integral control gear
- Stainless steel brackets and screws for mounting
- Down light distribution only
- Wireless control available through Bluetooth connection
- Daylight and occupancy sensor options
- Emergency module (1 or 3 hours) is available upon request with 3 options (BASIC, SELF-TEST, PRO-DALI)

Product colour



01 - Black (RAL 9011) 03 - White (RAL 9003) 05 - Matt Silver (RAL 9006)

Special finishes upon request



SU01 - Concrete - Urban SU02 - Softscape - Urban SU03 - Stone - Urban SU04 - Corten - Urban



SW01 - Oak - Woodland SW02 - Walnut - Woodland SW03 - Pine - Woodland

PITTSFIELD 1 (PIT-80015)

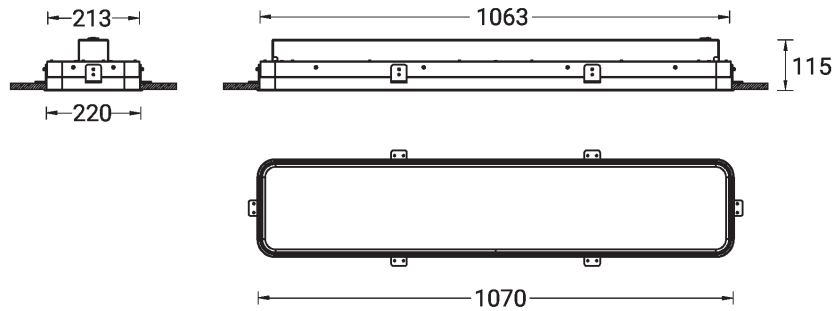
Technical information

Material	Aluminium
Light source	1728 LED
Power	54 W
Lumen	1905 lm
Efficacy	35 lm/W

Driver option	Integral control gear
Driver	Constant current (CC)
Input voltage	220-240 V 50/60 Hz
CCT / CRI	RGBW40
Product colours	Black, White, Matt Silver, Concrete - Urban, Softscape - Urban, Stone - Urban, Corten - Urban, Oak - Woodland, Walnut - Woodland, Pine - Woodland

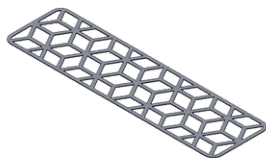
Weight	5.2 kg
Operating temperature	-20 °C to 40 °C
VARIANTS	Compatible with EN/ IEC 60598-2-22: Suitable for emergency installations as central supply, non-maintained (Z0)

PIT-80015

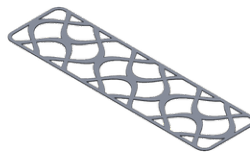


PITTSFIELD 1 (PIT-80015)**Accessory**

Decorative pattern - Type A for
PITTSFIELD 720 mm
A91921



Decorative pattern - Type B for
PITTSFIELD 720 mm
A93321



Decorative pattern - Type C for
PITTSFIELD 720 mm
A94721



DMX Control System
Control-DMX



DMX/RDM Control System
Control-DMX-RDM