

ROBUST 1 (RO-80476-A)



Product description

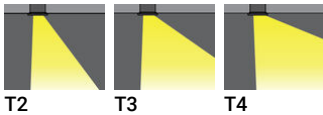
With remote box IP-rated / remote driver - Round - Aluminium frame



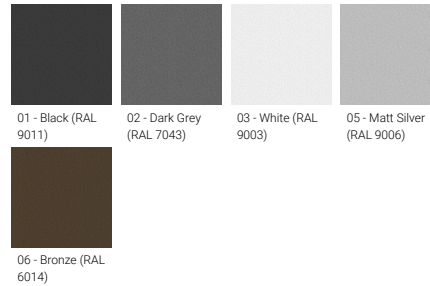
Luminaire Structure

- Die-cast aluminium housing
- Pre-treated before powder coating ensuring high corrosion resistance
- Single cable entry
- Stainless steel fasteners in grade 304 with zinc flake coating (ZFC)
- Durable silicone rubber gasket
- Clear toughened glass
- High-efficiency optical reflector
- Remote driver (included)

Optic



Product colour



Special finishes upon request



ROBUST 1 (RO-80476-A)

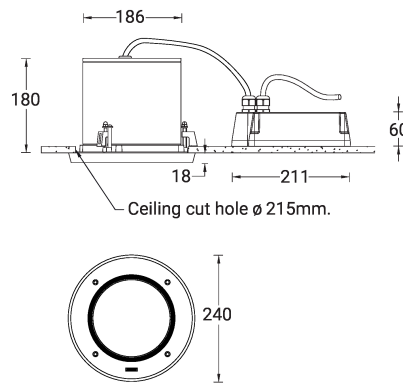
Technical information

Material	Aluminium
Light source	16 LED
Power	36 W
Lumen	3295 - 3768 lm
Efficacy	92 - 105 lm/W
Driver option	Remote driver (included)
Driver	Constant current (CC)
Input voltage	220-240 V 50/60 Hz
Optic	T2, T3, T4

Optic value	140°x 46°, 140°x 68°, 91°x 76°
CCT / CRI	3000K CRI80, 4000K CRI80
Bug	B1-U0-G0, B1-U0-G1
ULR	<1%
ULOR	<1%
CIE flux code n°3	98, 99
Dimming type	On/Off, 1-10V, DALI
Product colours	Black, Dark Grey, White, Matt Silver, Bronze, Concrete - Urban, Softscape - Urban, Stone - Urban, Corten - Urban, Oak - Woodland, Walnut - Woodland, Pine - Woodland
Weight	3.6 kg

Operating temperature	-20 °C to 40 °C
Through wiring	Single cable entry
Lens / Reflector / Optic	Clear toughened glass, High-efficiency optical reflector
MacAdam Ellipse	3 SDCM
Lifetime L90B10 (hours)	> 90,000
Lifetime L80B10 (hours)	> 90,000
Lifetime L80B50 (hours)	> 90,000
Variants (1-10V)	Compatible with EN/ IEC 60598-2-22: Suitable for emergency installations as central supply, non-maintained (Z0)

RO-80476-A



ROBUST 1 (RO-80476-A)

Accessory



Concrete box modification upon request
CONCRETE-BOX



DALI Control System
Control-DALI
