

ATLANTIC 2 (AA-10096-1)



Product description

Ø186 - 830 mm - Dome top

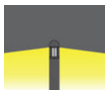


microPrim™

Luminaire Structure

- Die-cast aluminium housing
- Extruded aluminium column
- Pre-treated before powder coating ensuring high corrosion resistance
- Single cable entry
- One IP68 connector supplied with 0.2 m of 3x1.0 sqmm outdoor cable
- Stainless steel fasteners in grade 304 with zinc flake coating (ZFC)
- Durable silicone rubber gasket
- Opal toughened glass diffuser
- Integral control gear

Optic



G

Product colour



Special finishes upon request



ATLANTIC 2 (AA-10096-1)

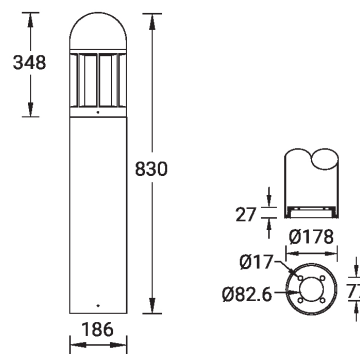
Technical information

Material	Aluminium
Light source	1 COB
Power	41 W
Lumen	2062 - 2350 lm
Efficacy	50 - 57 lm/W
Driver option	Integral control gear
Driver	Constant current (CC)
Input voltage	220-240 V 50/60 Hz

Optic	G
Optic value	360°
CCT / CRI	3000K CRI80, 4000K CRI80
Bug	B1-U4-G1
ULR	48%
ULOR	48%
CIE flux code n°3	67
Dimming type	On/Off, 1-10V, DALI

Product colours	Black, Dark Grey, White, Matt Silver, Bronze, Concrete - Urban, Softscape - Urban, Stone - Urban, Corten - Urban, Oak - Woodland, Walnut - Woodland, Pine - Woodland
Weight	8.2 kg
Operating temperature	-20 °C to 50 °C
Cable	One IP68 connector supplied with 0.2 m of 3x1.0 sqmm outdoor cable
Through wiring	Single cable entry
Lens / Reflector / Optic	Opal toughened glass diffuser
Variants (1-10V, DALI)	Compatible with EN/ IEC 60598-2-22: Suitable for emergency installations as central supply, non-maintained (Z0)

AA-10096-1



ATLANTIC 2 (AA-10096-1)

Accessory



Anchor bolt
A10391



DALI Control System
Control-DALI