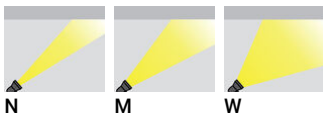


ANNET 3 (AE-50521) (Version 1)**Product description**

Without remote driver - Constant voltage (CV) 24 V

**Luminaire Structure**

- Stainless steel body in grade 316
- Single cable entry
- One cable gland supplied with 2 m of 2x1.0 sqmm outdoor cable
- Stainless steel fasteners in grade 316
- Durable silicone rubber gasket
- Clear toughened glass
- Remote driver (not included)
- Remote box IP-rated is not included and is to be ordered separately for constant current (CC) products
- Luminaire must be submerged when operational
- Maximum depth 2 m
- Outdoor cable needs to be ordered with a specific length

Optic**Product colour**

00 - Stainless Steel

ANNET 3 (AE-50521) (Version 1)

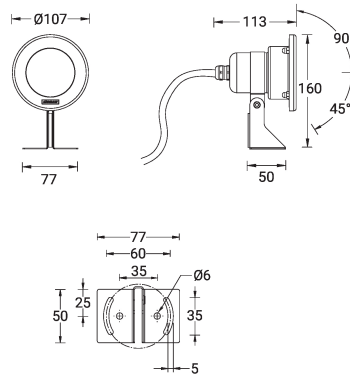
Technical information

Material	Stainless Steel
Light source	3 LED
Power	7 W
Lumen	617 - 765 lm
Efficacy	88 - 109 lm/W
Driver option	Remote driver (not included)
Driver	Constant voltage (CV)
Input voltage	24 VDC

Optic	N, M, W
Optic value	23°, 32°, 52°
CCT / CRI	3000K CRI80, 4000K CRI80
Bug	B1-U0-G0
ULR	<1%
ULOR	<1%
CIE flux code n°3	100
Dimming type	On/Off

Product colours	Stainless Steel
Weight	1.1 kg
Operating temperature	-20 °C to 50 °C
Cable	One cable gland supplied with 2 m of 2x1.0 sqmm outdoor cable
Through wiring	Single cable entry
Lens / Reflector / Optic	Clear toughened glass

AE-50521



ANNET 3 (AE-50521) (Version 1)**Accessory**



Driver (CV) - On/Off - 36 W - IP67
- 24 V
A34491-ND



Driver (CV) - On/Off - 60 W - IP67
- 24 V
A34591-ND



Driver (CV) - On/Off - 100 W -
IP67 - 24 V
A34791-ND



Driver (CV) - On/Off - 150 W -
IP67 - 24 V
A34891-ND



Driver (CV) - On/Off - 200 W -
IP67 - 24 V
A34991-ND



Driver (CV) - On/Off - 350 W -
IP67 - 24 V
A35091-ND
