

BILLUND 3 (BIU-90025)



Product description

Large



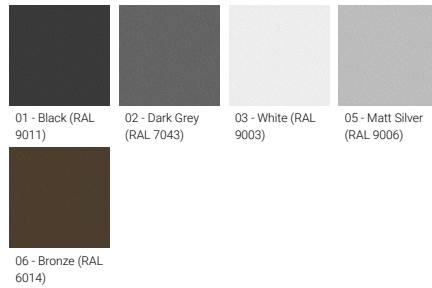
Luminaire Structure

- Die-cast aluminium housing
- Pre-treated before powder coating ensuring high corrosion resistance
- Thermal heat dissipation body
- Single cable entry
- One IP68 connector supplied with 0.3 m of 3x1.0 sqmm outdoor cable
- Stainless steel fasteners in grade 304 with zinc flake coating (ZFC)
- Durable silicone rubber gasket
- Clear toughened glass
- High-efficiency polycarbonate lens
- Integral control gear
- Surge protection 10kV
- Constant lumen output (CLO) and Night-time dimming options

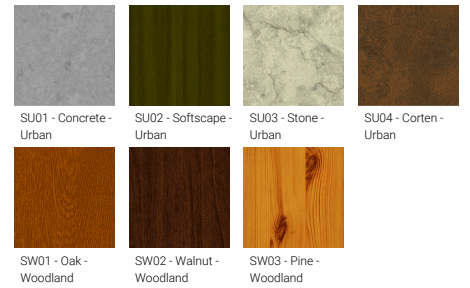
Optic



Product colour



Special finishes upon request



BILLUND 3 (BIU-90025)

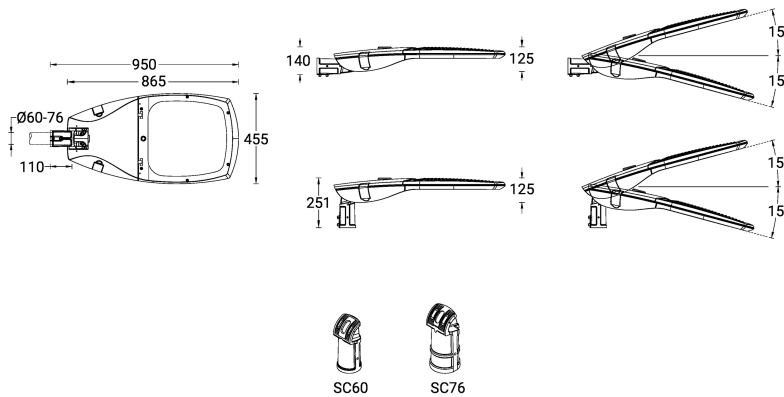
Technical information

| | |
|----------------------|-----------------------|
| Material | Aluminium |
| Light source | 144 LED |
| Power | 275 W |
| Lumen | 32828 - 41464 lm |
| Efficacy | 119 - 151 lm/W |
| Driver option | Integral control gear |
| Driver | Constant current (CC) |
| Input voltage | 220-240 V 50/60 Hz |

| | |
|--------------------------|---------------------------------------------------|
| Optic | T1, T2, T3, T4, T5 |
| Optic value | 138°x125°, 140°x63°, 133°x66°, 111°x65°, 92°x121° |
| CCT / CRI | 2700K CRI70, 3000K CRI70, 4000K CRI70 |
| Bug | B4-U0-G3, B4-U0-G4, B5-U0-G2, B5-U0-G5 |
| ULR | <1% |
| ULOR | <1% |
| CIE flux code n°3 | 100, 96, 97 |
| Dimming type | On/Off, 1-10V, DALI |

| | |
|---------------------------------------|----------------------------------------------------------------------------------------------------------------------------------------------------------------------|
| Product colours | Black, Dark Grey, White, Matt Silver, Bronze, Concrete - Urban, Softscape - Urban, Stone - Urban, Corten - Urban, Oak - Woodland, Walnut - Woodland, Pine - Woodland |
| Weight | 15.1 kg |
| Operating temperature | -20 °C to 50 °C |
| EPA (m2) | 0.087 |
| Cable | One IP68 connector supplied with 0.3 m of 3x1.0 sqmm outdoor cable |
| Through wiring | Single cable entry |
| Lens / Reflector / Optic | Clear toughened glass, High-efficiency polycarbonate lens |
| Variants (On/Off, 1-10V, DALI) | Compatible with EN/ IEC 60598-2-22: Suitable for emergency installations as central supply, non-maintained (Z0) |

BIU-90025



Accessory



DALI Control System
Control-DALI
