

FORREY 16 (FOR-20072)



Product description

Top Ø320 mm - With louver & opal diffuser



microPrim™

Luminaire Structure

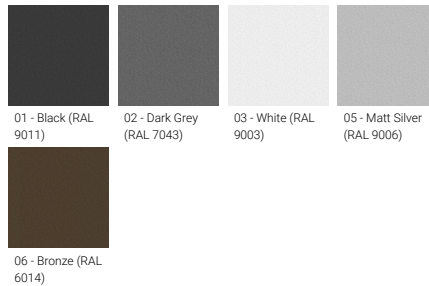
- Die-cast aluminium housing
- Pre-treated before powder coating ensuring high corrosion resistance
- Extruded aluminium column
- Models with shade will have colour white coating at inside of shade luminaire and outside surface coating according to colour of luminaire
- Single cable entry
- One IP68 connector supplied with 0.2 m of 3x1.0 sqmm outdoor cable
- Stainless steel fasteners in grade 304 with zinc flake coating (ZFC)
- Durable silicone rubber gasket
- Opal UV-stabilised polycarbonate diffuser
- Integral control gear
- FORREY luminaires with opal lens and colder than 3000K CCT do not meet the IDA certification requirements

Optic

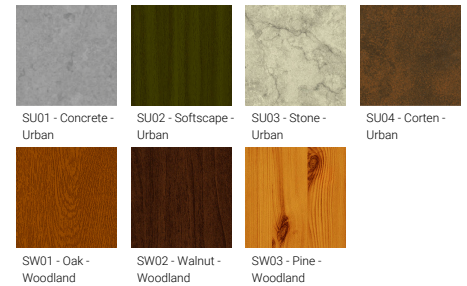


G

Product colour



Special finishes upon request

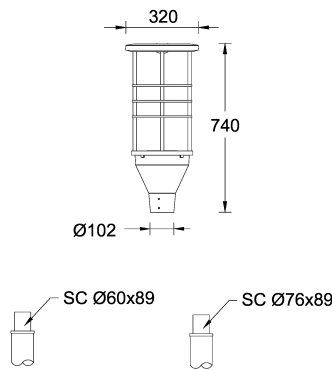


FORREY 16 (FOR-20072)

Technical information

Material	Aluminium	Optic	G	Cable	One IP68 connector supplied with 0.2 m of 3x1.0 sqmm outdoor cable
Light source	180 LED	Optic value	360°	Through wiring	Single cable entry
Power	60 W	CCT / CRI	3000K CRI80, 4000K CRI80	Lens / Reflector / Optic	Opal UV-stabilised polycarbonate diffuser
Lumen	3469 - 4053 lm	Dimming type	On/Off, 1-10V, DALI	MacAdam Ellipse	3 SDCM
Efficacy	58 - 68 lm/W	Product colours	Black, Dark Grey, White, Matt Silver, Bronze, Concrete - Urban, Softscape - Urban, Stone - Urban, Corten - Urban, Oak - Woodland, Walnut - Woodland, Pine - Woodland	Lifetime L90B10 (hours)	> 23,000
Driver option	Integral control gear			Lifetime L80B10 (hours)	> 45,000
Driver	Constant current (CC)			Lifetime L80B50 (hours)	> 49,000
Input voltage	220-240 V 50/60 Hz			Variants (On/Off, 1-10V, DALI)	Compatible with EN/ IEC 60598-2-22: Suitable for emergency installations as central supply, non-maintained (Z0)
		Weight	16.1 kg		
		Operating temperature	-20 °C to 50 °C		
		EPA (m2)	0.082		

FOR-20072



FORREY 16 (FOR-20072)

Accessory



DALI Control System
Control-DALI
