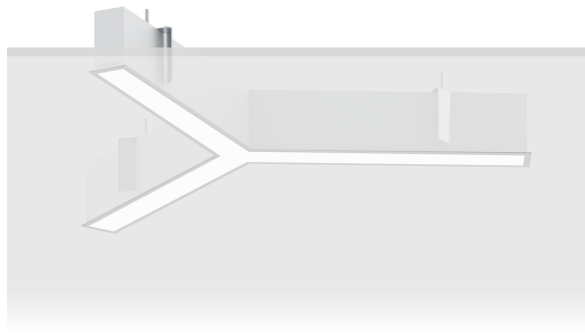


NYBRO 23 (NYB-81032-RE)



Product description

Down - Y120° - 60x80 mm - 518 mm - Trimless



microPrim™

Luminaire Structure

- Die-cast aluminium end-caps and extruded aluminium profile with powder coating
- Passive thermal management
- Stainless steel fasteners in grade 304 with zinc flake coating (ZFC)
- PMMA diffuser with Opal (UGR <19) and micro prismatic (UGR <13) options for better glare control
- Integral control gear
- Cut the connection angle according to the shape
- Stainless steel brackets and screws for mounting
- Down light distribution only
- Wireless control available through Bluetooth connection
- Daylight and occupancy sensor options

Optic



Product colour



Special finishes upon request



NYBRO 23 (NYB-81032-RE)

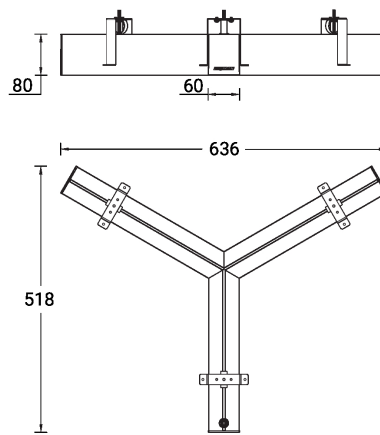
Technical information

| | |
|----------------------|-----------------------|
| Material | Aluminium |
| Light source | 120 LED |
| Power | 24 W |
| Lumen | 2023 - 2544 lm |
| Efficacy | 84 - 106 lm/W |
| Driver option | Integral control gear |
| Driver | Constant current (CC) |

| | |
|------------------------|---|
| Input voltage | 220-240 V 50/60 Hz |
| Optic | O, P |
| Optic value | Opal, Micro-prismatic |
| CCT / CRI | 3000K CRI80, 4000K CRI80 |
| Dimming type | On/Off, DALI |
| Product colours | Black, White, Matt Silver, Concrete - Urban, Softscape - Urban, Stone - Urban, Corten - Urban, Oak - Woodland, Walnut - Woodland, Pine - Woodland |
| Weight | 3.5 kg |

| | |
|--------------------------------|---|
| Operating temperature | -20 °C to 40 °C |
| MacAdam Ellipse | 3 SDCM |
| Lifetime L90B10 (hours) | > 23,000 |
| Lifetime L80B10 (hours) | > 45,000 |
| Lifetime L80B50 (hours) | > 50,000 |
| Variants (On/Off, DALI) | Compatible with EN/ IEC 60598-2-22: Suitable for emergency installations as central supply, non-maintained (Z0) |

NYB-81032-RE



NYBRO 23 (NYB-81032-RE)**Accessory**



Trimless-recessed mounting
bracket (60 mm Down profile)
A82581



Continuous-coupler bracket
(60/70 mm Down & 60 mm
Down & Up profile)
A81581



DALI Control System
Control-DALI
