

**STEAMER 1 (SE-90001)**



**Product description**

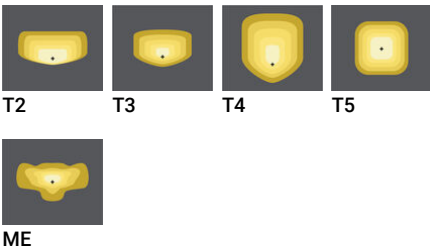
Rectangular - Medium



**Luminaire Structure**

- Die-cast aluminium housing
- Pre-treated before powder coating ensuring high corrosion resistance
- Single cable entry
- One IP68 connector supplied with 0.5 m of 3x1.0 sqmm outdoor cable
- Stainless steel fasteners in grade 304 with zinc flake coating (ZFC)
- Durable silicone rubber gasket
- Clear toughened glass
- High-efficiency PMMA lens
- Integral control gear
- Surge protection 10kV

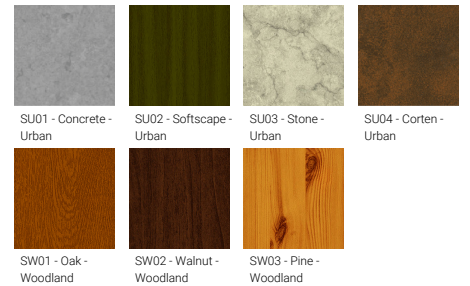
**Optic**



**Product colour**



**Special finishes upon request**



**STEAMER 1 (SE-90001)**

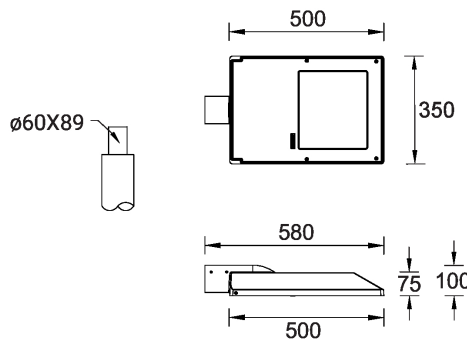
**Technical information**

<b>Material</b>	Aluminium
<b>Light source</b>	9 LED
<b>Power</b>	80 W
<b>Lumen</b>	6092 - 7999 lm
<b>Efficacy</b>	76 - 100 lm/W
<b>Driver option</b>	Integral control gear
<b>Driver</b>	Constant current (CC)
<b>Input voltage</b>	220-240 V 50/60 Hz

<b>Optic</b>	T2, T3, T4, T5, ME
<b>Optic value</b>	143°x48°, 142°x51°, 95°x84°, 88°x140°, 135°x49°
<b>Dimming type</b>	On/Off, 1-10V, DALI
<b>Product colours</b>	Black, Dark Grey, White, Matt Silver, Bronze, Concrete - Urban, Softscape - Urban, Stone - Urban, Corten - Urban, Oak - Woodland, Walnut - Woodland, Pine - Woodland
<b>Weight</b>	10.1 kg
<b>Operating temperature</b>	-20 °C to 50 °C
<b>Cable</b>	One IP68 connector supplied with 0.5 m of 3x1.0 sqmm outdoor cable
<b>Through wiring</b>	Single cable entry

<b>Lens / Reflector / Optic</b>	Clear toughened glass, High-efficiency PMMA lens
<b>MacAdam Ellipse</b>	3 SDCM
<b>Lifetime L90B10 (hours)</b>	> 109,000
<b>Lifetime L80B10 (hours)</b>	> 109,000
<b>Lifetime L80B50 (hours)</b>	> 109,000
<b>Variants (On/Off, 1-10V, DALI)</b>	Compatible with EN/ IEC 60598-2-22: Suitable for emergency installations as central supply, non-maintained (Z0)

**SE-90001**



**STEAMER 1 (SE-90001)****Accessory**

Double adjustable 50°  
**A91760**



Double arm mount  
**A91160**



Double arm mount  
**A91360**



Double arm mount  
**A91560**



Motion sensor - PIR - 1-10V - Up  
to 3 m  
**A90191-L2**



Motion sensor - PIR - 1-10V - Up  
to 6 m  
**A90191-L3**



Motion sensor - PIR - 1-10V - Up  
to 12 m  
**A90191-L7**



Remote controller for the motion  
sensor - 1-10V (A90191)  
**A90791**



Single adjustable 50°  
**A91660**



Single arm mount  
**A91060**



Single arm mount  
**A91260**



Single arm mount  
**A91460**