

VANCOUVER 16 (VA-20111)



Product description

240x240 mm - 4070 mm - No decorative pattern
(Optic) - 1 projector (Optic 2nd) IP66 - RGBW

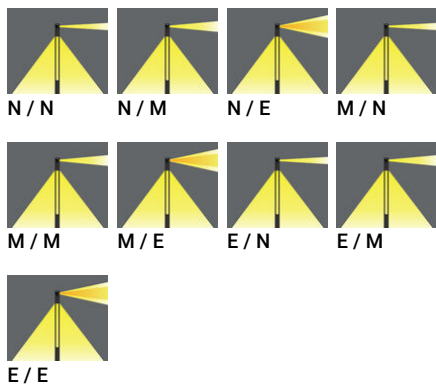


LIGHT CONNECT™ microPrim™

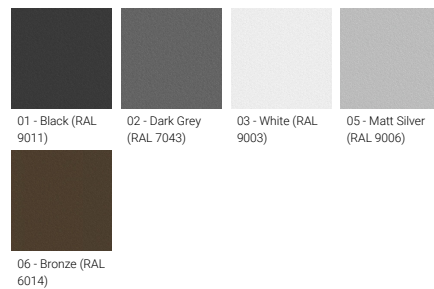
Luminaire Structure

- Die-cast aluminium housing
- Extruded aluminium column
- Pre-treated before powder coating ensuring high corrosion resistance
- Single cable entry
- One IP68 connector supplied with 0.3 m of 5x1.5 sqmm outdoor cable
- Stainless steel fasteners in grade 304 with zinc flake coating (ZFC)
- Durable silicone rubber gasket
- High-efficiency polycarbonate lens
- Clear toughened glass
- Integral control gear
- Maximum wind load resistance is 160 km/h
- Surge protection 10kV
- VANCOUVER luminaires with projectors on top and colder than 3000K CCT do not meet the IDA certification requirements

Optic



Product colour



Special finishes upon request



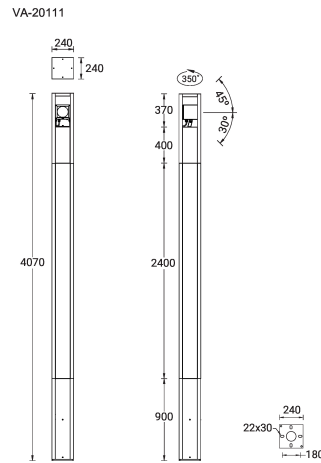
VANCOUVER 16 (VA-20111)

Technical information

Material	Aluminium
Light source	7 LED & 7 LED (Projector)
Power	66 W
Lumen	1968 - 2624 lm
Efficacy	30 - 40 lm/W
Driver option	Integral control gear
Driver	Constant current (CC)
Input voltage	220-240 V 50/60 Hz
Optic	N, M, E

Optic value	21°, 35°, 48°x26°
Optic (2nd)	N, M, E
Optic (2nd) value	21°, 35°, 48°x26°
CCT / CRI	RGBW30, RGBW40
Bug	B1-U0-G0, B2-U0-G0
Dimming type	DMX, DMX/RDM
Product colours	Black, Dark Grey, White, Matt Silver, Bronze, Concrete - Urban, Softscape - Urban, Stone - Urban, Corten - Urban, Oak - Woodland, Walnut - Woodland, Pine - Woodland
Weight	56.2 kg
Operating temperature	-20 °C to 40 °C

EPA (m2)	0.556
Cable	One IP68 connector supplied with 0.3 m of 5x1.5 sqmm outdoor cable
Through wiring	Single cable entry
Lens / Reflector / Optic	High-efficiency polycarbonate lens, Clear toughened glass
Lifetime L90B10 (hours)	> 15,000
Lifetime L80B10 (hours)	> 31,000
Lifetime L80B50 (hours)	> 34,000
Variants (DMX/RDM)	Compatible with EN/ IEC 60598-2-22: Suitable for emergency installations as central supply, non-maintained (Z0)



VANCOUVER 16 (VA-20111)**Accessory**



Circuit breaker box IP44
A21291



Root mount kit
A21391



DMX Control System
Control-DMX



DMX/RDM Control System
Control-DMX-RDM