

## VEKTER 15 (VK-90021)



### Product description

4 sides



microVos

microPrim™

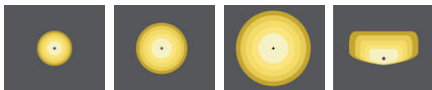


**DARKSKY  
APPROVED**  
Reduces light pollution  
Certified by DarkSky.org

### Luminaire Structure

- Die-cast aluminium housing
- Pre-treated before powder coating ensuring high corrosion resistance
- Single cable entry
- One cable gland supplied with 0.5 m of 3x1.0 sqmm outdoor cable
- Stainless steel fasteners in grade 304 with zinc flake coating (ZFC)
- Durable silicone rubber gasket
- Clear toughened glass
- High-efficiency PMMA lens
- Integral control gear
- Maximum wind load resistance is 140 km/h
- Surge protection 10kV

### Optic

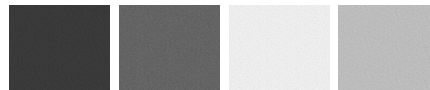


M W EW T2

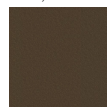


T3 T4 ME

### Product colour

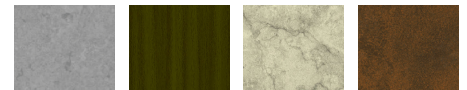


01 - Black (RAL 9011) 02 - Dark Grey (RAL 7043) 03 - White (RAL 9003) 05 - Matt Silver (RAL 9006)

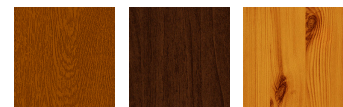


06 - Bronze (RAL 6014)

### Special finishes upon request



SU01 - Concrete - Urban SU02 - Softscape - Urban SU03 - Stone - Urban SU04 - Corten - Urban



SW01 - Oak - Woodland SW02 - Walnut - Woodland SW03 - Pine - Woodland

**VEKTER 15 (VK-90021)**

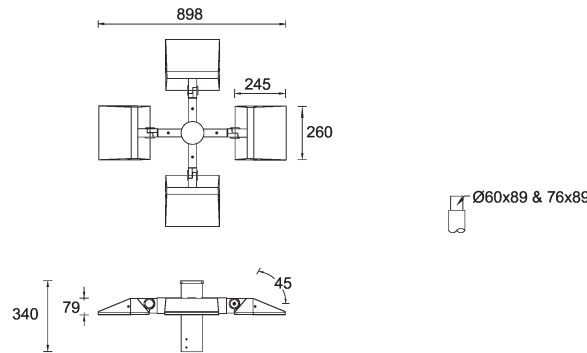
**Technical information**

<b>Material</b>	Aluminium
<b>Light source</b>	4 x 12 LED
<b>Power</b>	80 W
<b>Lumen</b>	9320 - 10928 lm
<b>Efficacy</b>	123 - 144 lm/W
<b>Driver option</b>	Integral control gear
<b>Driver</b>	Constant current (CC)
<b>Input voltage</b>	220-240 V 50/60 Hz
<b>Optic</b>	M, W, EW, T2, T3, T4, ME
<b>Optic value</b>	30°, 56°, 114°, 139°x60°, 123°x87°, 106°x72°, 140°x62°

<b>CCT / CRI</b>	2700K CRI80, 3000K CRI80, 4000K CRI80
<b>Bug</b>	B1-U0-G0, B1-U0-G1, B2-U0-G0
<b>ULR</b>	<1%
<b>ULOR</b>	<1%
<b>CIE flux code n°3</b>	97, 99
<b>Dimming type</b>	On/Off, 1-10V, DALI
<b>Product colours</b>	Black, Dark Grey, White, Matt Silver, Bronze, Concrete - Urban, Softscape - Urban, Stone - Urban, Corten - Urban, Oak - Woodland, Walnut - Woodland, Pine - Woodland
<b>Weight</b>	19.7 kg
<b>Operating temperature</b>	-20 °C to 50 °C
<b>EPA (m2)</b>	0.079

<b>Cable</b>	One cable gland supplied with 0.5 m of 3x1.0 sqmm outdoor cable
<b>Through wiring</b>	Single cable entry
<b>Lens / Reflector / Optic</b>	Clear toughened glass, High-efficiency PMMA lens
<b>MacAdam Ellipse</b>	3 SDCM
<b>Lifetime L90B10 (hours)</b>	> 90,000
<b>Lifetime L80B10 (hours)</b>	> 90,000
<b>Lifetime L80B50 (hours)</b>	> 90,000
<b>Variants (On/Off, 1-10V, DALI)</b>	Compatible with EN/ IEC 60598-2-22: Suitable for emergency installations as central supply, non-maintained (Z0)

VK-90021



**VEKTER 15** (VK-90021)**Accessory**

---



DALI Control System  
**Control-DALI**

---