

ZEAT 3 (ZE-50391)



Product description

Integral control gear - Class I

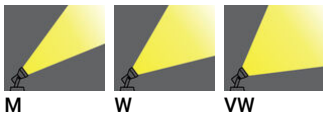


microPrim™

Luminaire Structure

- Die-cast aluminium housing and frame
- Pre-treated before powder coating ensuring high corrosion resistance
- Single cable entry, through wiring upon request
- Stainless steel fasteners in grade 304 with zinc flake coating (ZFC)
- Durable silicone rubber gasket
- High-efficiency PMMA lens
- Clear toughened glass
- Integral control gear
- Remote box IP-rated is not included and is to be ordered separately for constant current (CC) products

Optic



Product colour



Special finishes upon request



ZEAT 3 (ZE-50391)

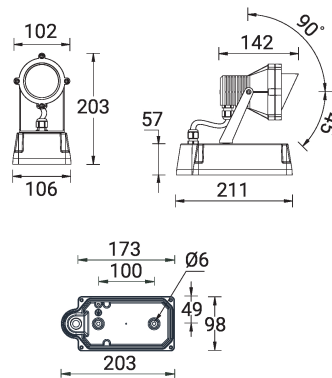
Technical information

Material	Aluminium
Light source	1 COB
Power	14 W
Lumen	1048 - 1274 lm
Efficacy	75 - 91 lm/W
Driver option	Integral control gear
Driver	Constant current (CC)
Input voltage	220-240 V 50/60 Hz
Optic	M, W, VW, EW

Optic value	24°, 31°, 48°, 62°x58°
CCT / CRI	3000K CRI80, 4000K CRI80
Bug	B1-U1-G1, B1-U2-G1, B2-U1-G1
ULR	1%
ULOR	1%
CIE flux code n°3	97, 98
Dimming type	On/Off, 1-10V, DALI
Product colours	Black, Dark Grey, White, Matt Silver, Bronze, Concrete - Urban, Softscape - Urban, Stone - Urban, Corten - Urban, Oak - Woodland, Walnut - Woodland, Pine - Woodland
Weight	1.5 kg

Operating temperature	-20 °C to 40 °C
EPA (m2)	0.029
Through wiring	Single cable entry, through wiring upon request
Lens / Reflector / Optic	High-efficiency PMMA lens, Clear toughened glass
MacAdam Ellipse	3 SDCM
Lifetime L90B10 (hours)	> 61,000
Variants (On/Off, 1-10V, DALI)	Compatible with EN/ IEC 60598-2-22: Suitable for emergency installations as central supply, non-maintained (Z0)

ZE-50391



ZEAT 3 (ZE-50391)**Accessory**



Ground spike
A50141



Mounting belt
A50291



DALI Control System
Control-DALI
