

**GINI 1 (GN-30081)**



**Product description**

Down



microPrim™

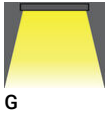


**DARKSKY APPROVED**  
Reduces light pollution  
Certified by DarkSky.org

**Luminaire Structure**

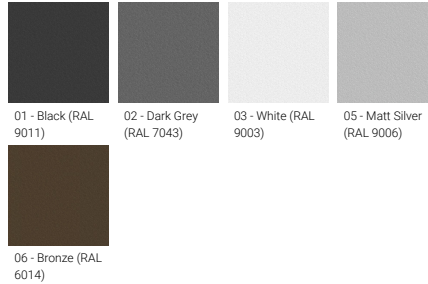
- Die-cast aluminium housing
- Pre-treated before powder coating ensuring high corrosion resistance
- Single cable entry
- Stainless steel fasteners in grade 304 with zinc flake coating (ZFC)
- Durable silicone rubber gasket
- Frosted toughened glass
- Integral control gear

**Optic**

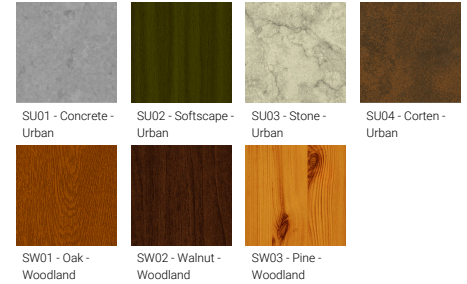


G

**Product colour**



**Special finishes upon request**



**GINI 1 (GN-30081)**

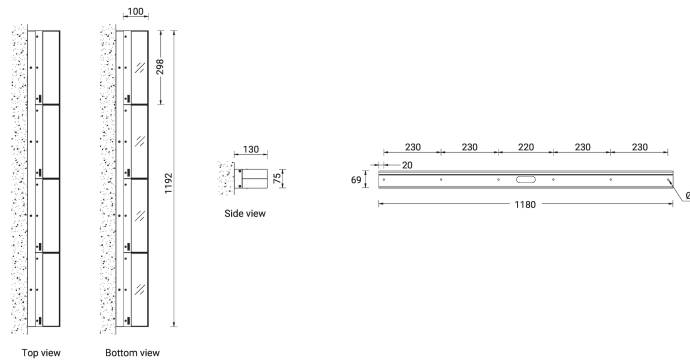
**Technical information**

|                      |                       |
|----------------------|-----------------------|
| <b>Material</b>      | Aluminium             |
| <b>Light source</b>  | 160 LED               |
| <b>Power</b>         | 72 W                  |
| <b>Lumen</b>         | 4785 - 4984 lm        |
| <b>Efficacy</b>      | 66 - 69 lm/W          |
| <b>Driver option</b> | Integral control gear |
| <b>Driver</b>        | Constant current (CC) |
| <b>Input voltage</b> | 220-240 V 50/60 Hz    |
| <b>Optic</b>         | G                     |

|                          |  |
|--------------------------|--|
| <b>Optic value</b>       | 95°x 86°   |
| <b>CCT / CRI</b>         | 3000K CRI80, 4000K CRI80   |
| <b>Bug</b>               | B2-U1-G1   |
| <b>ULR</b>               | <1%  |
| <b>ULOR</b>              | <1%  |
| <b>CIE flux code n°3</b> | 98   |
| <b>Dimming type</b>      | On/Off, DALI   |
| <b>Product colours</b>   | Black, Dark Grey, White, Matt Silver, Bronze, Concrete - Urban, Softscape - Urban, Stone - Urban, Corten - Urban, Oak - Woodland, Walnut - Woodland, Pine - Woodland |
| <b>Weight</b>            | 13.9 kg  |

|                                 |   |
|---------------------------------|---|
| <b>Operating temperature</b>    | -20 °C to 40 °C   |
| <b>Through wiring</b>           | Single cable entry  |
| <b>Lens / Reflector / Optic</b> | Frosted toughened glass   |
| <b>MacAdam Ellipse</b>          | 3 SDCM  |
| <b>Lifetime L90B10 (hours)</b>  | > 23,000  |
| <b>Lifetime L80B10 (hours)</b>  | > 45,000  |
| <b>Lifetime L80B50 (hours)</b>  | > 49,000  |
| <b>Variants (On/Off, DALI)</b>  | Compatible with EN/ IEC 60598-2-22: Suitable for emergency installations as central supply, non-maintained (Z0) |

GN-30081



**Accessory**

---



DALI Control System  
**Control-DALI**

---